

Hydro-Probe SE User Guide

To re-order quote part number:	HD0278
Revision:	2.1.0
Revision date:	Jan 2020

Copyright

Neither the whole or any part of the information contained in nor the product described in this documentation may be adapted or reproduced in any material form except with the prior written approval of Hydronix Limited, hereinafter referred to as Hydronix.

© 2014

Hydronix Limited
Units 11-12,
Henley Business Park
Pirbright Road
Normandy
Surrey GU3 2DX
United Kingdom

All rights reserved

CUSTOMER RESPONSIBILITY

The customer in applying the product described in this documentation accepts that the product is a programmable electronic system which is inherently complex and which may not be completely free of errors. In doing so the customer therefore undertakes responsibility to ensure that the product is properly installed commissioned operated and maintained by competent and suitably trained persons and in accordance with any instructions or safety precautions made available or good engineering practice and to thoroughly verify the use of the product in the particular application.

ERRORS IN DOCUMENTATION

The product described in this documentation is subject to continuous development and improvement. All information of a technical nature and particulars of the product and its use including the information and particulars contained in this documentation are given by Hydronix in good faith.

Hydronix welcomes comments and suggestions relating to the product and this documentation

ACKNOWLEDGEMENTS

Hydronix, Hydro-Probe, Hydro-Mix, Hydro-View and Hydro-Control are Registered Trade Marks of Hydronix Limited

Hydronix Offices

UK Head Office

Address: Units 11-12,
Henley Business Park
Pirbright Road
Normandy
Surrey GU3 2DX
United Kingdom

Tel: +44 1483 468900

Email: support@hydronix.com
sales@hydronix.com

Website: www.hydronix.com

North American Office

Covers North and South America, US territories, Spain and Portugal

Address: 692 West Conway Road
Suite 24, Harbor Springs
MI 47940
USA

Tel: +1 888 887 4884 (Toll Free)
+1 231 439 5000

Fax: +1 888 887 4822 (Toll Free)
+1 231 439 5001

European Office

Covers Central Europe, Russia and South Africa

Tel: +49 2563 4858

Fax: +49 2563 5016

French Office

Tel: +33 652 04 89 04

Revision history

Revision No	Date	Description of Change
2.0.0	July 2014	Major Product Update
2.1.0	Jan 2020	Address Change

Table of Contents

Chapter 1 Introduction.....	11
1 Introduction.....	11
2 Measuring Technique.....	11
3 Sensor connection and configuration.....	12
Chapter 2 Mechanical Installation.....	13
1 General to all applications.....	13
2 Installing the Sensor.....	13
3 Maintenance.....	15
Chapter 3 Electrical installation and communication.....	17
1 Installation guidelines.....	17
2 Analogue outputs.....	17
3 RS485 multi-drop connection.....	19
4 Digital input/output connections.....	20
5 Connecting to a PC.....	21
Chapter 4 Configuration.....	25
1 Configuring the Sensor.....	25
2 Analogue output setup.....	25
3 Digital inputs/output setup.....	27
4 Filtering.....	28
5 Alternative Measurement Modes.....	29
Chapter 5 Material calibration.....	31
1 Introduction to material calibration.....	31
2 Storing calibration data.....	32
3 Moisture (Linear) Calibration.....	33
4 Brix Calibration.....	38
5 Quadratic calibration.....	43
Chapter 6 Frequently asked questions.....	45
Chapter 7 Sensor diagnostics.....	47
1 Symptom: No output from sensor.....	47
2 Sensor output characteristics.....	47
3 Symptom: Incorrect analogue output.....	48
4 Symptom: Computer does not communicate with the sensor.....	48
5 Symptom: Near constant material reading.....	49
6 Symptom: Inconsistent or erratic readings that do not track material.....	50
Chapter 8 Technical specification.....	51
1 Technical Specification.....	51
2 Connections.....	52
Appendix A Default parameters.....	53
Appendix B Moisture Calibration Record Sheet.....	55
Appendix C Brix Calibration Record Sheet.....	57
Appendix D Document Cross Reference.....	59
1 Document Cross Reference.....	59

Table of Figures

Figure 1: The Hydro-Probe SE	10
Figure 2: Connecting the sensor (overview)	12
Figure 3: Mounting Boss	14
Figure 4: Mounting in a pressure vessel.....	14
Figure 5: The sensor installed in a storage tank.....	14
Figure 6: Measurement chamber in-line with pipeline	15
Figure 7: 0975 Sensor cable connections.....	18
Figure 8: RS485 multi-drop connections.....	19
Figure 9: Multi-Drop RS485 wiring method.....	19
Figure 10: Internal/external excitation of digital input 1 & 2	20
Figure 11: Activation of digital output 2.....	20
Figure 12: RS232/485 converter connections (0049B).....	21
Figure 13: RS232/485 converter connections (0049A).....	21
Figure 14: SIM01 USB-RS485 converter connections	22
Figure 15: Ethernet Adapter Connections (EAK01).....	22
Figure 16: Ethernet Power Adapter Kit connections (EPK01)	23
Figure 17: Maximum number of sensor connections dependent upon ambient temperature	23
Figure 18: Guidance for setting output variables	25
Figure 19: Relationship of moisture % to Unscaled values	30
Figure 20: Calibrations for 3 different materials (Left) and typical calibration data (Right).....	31
Figure 21: Calibration inside the Hydro-Probe SE	33
Figure 22: Calibration inside the control system.....	33
Figure 23: Calibration Line example	34
Figure 24: Calibrations using the SSD coefficient	35
Figure 25: Example of a good material calibration	37
Figure 26: Examples of poor material calibration points.....	37
Figure 27: Hydro-Com new calibration screen.....	38
Figure 28: Unscaled and Brix values entered into Hydro-Com.....	39
Figure 29: Starting point selector	39
Figure 30: Hydro-Com Brix calibration best-fit.....	40
Figure 31: Recalculate Seed point/Update sensor	40
Figure 32: Example of a good Brix Calibration	41
Figure 33: Example of a bad Brix Calibration	41
Figure 34: Hydro-Com Configuration Tab.....	43
Figure 35: Example of a good quadratic calibration	44
Figure 36: Examples of bad quadratic calibrations.....	44

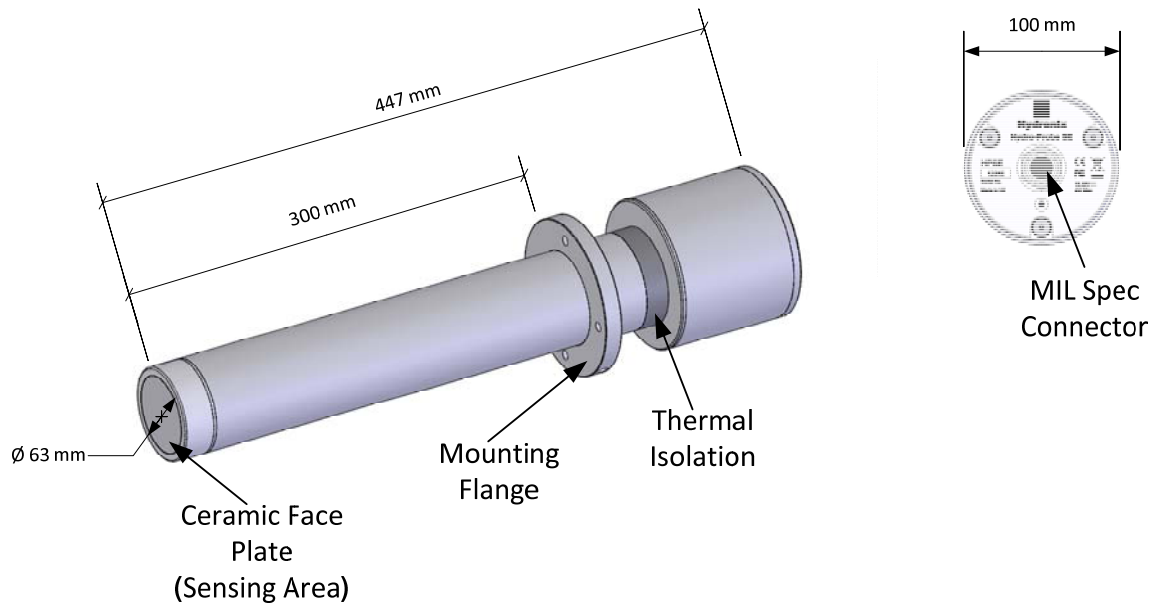


Figure 1: The Hydro-Probe SE

Available accessories:

- 0975 4m sensor cable
- 0975-10m 10m sensor cable
- 0975-25m 25m sensor cable
- 0116 Power supply – 30 Watt for up to 4 sensors
- 0067 Terminal box (IP56, 10 terminals)
- 0049A RS232/485 converter (DIN rail mounting)
- 0049B RS232/485 converter (9 pin D type to terminal block)
- SIM01A USB Sensor Interface Module including cables and power supply
- EAK01 Ethernet Adapter Kit
- 3010 Mounting Boss
- 3020 Gasket (1 supplied with sensor)

Hydro-Com configuration and diagnostics software is available for free download from www.hydronix.com

1 Introduction

The Hydro-Probe SE is a digital microwave moisture / Brix sensor designed for use in higher temperature environments and pressurised vessels and to have a wear life of many years.

The Hydro-Probe SE measures the material passing in front of the ceramic faceplate. Its on-board processing provides the options of both an analogue and a digital output which can be easily connected to any control system. The sensor can easily be calibrated to automatically calculate the moisture or the Brix content from the value measured and output this to the control system.

The sensor may be configured remotely when connected to a PC using dedicated Hydronix software. A large number of parameters are selectable, such as the type of output and the filtering characteristics.

After installation the sensor is calibrated to the material (see Chapter 5 'Material calibration'). For this the sensor can be setup in two ways:

- Calibration inside sensor: Sensor is calibrated internally and outputs true moisture or Brix.
- Calibration inside control system: Sensor outputs an Unscaled reading which is proportional to moisture. This can then be used to control to a target figure or by having calibration data inside the control system convert this to the true Moisture/Brix.

The Hydro-Probe SE should never be subjected to unnecessary impact damage as it houses sensitive electronics. In particular, the ceramic faceplate, although extremely hardwearing, is brittle and may crack if subjected to severe impact.



CAUTION – NEVER HIT THE CERAMIC

2 Measuring Technique

The Hydro-Probe SE uses the unique Hydronix digital microwave technique that provides a more sensitive measurement compared to analogue techniques.

Measurements are taken 25 times per second and this enables rapid detection of changes in the material.

3 Sensor connection and configuration

As with all Hydronix digital microwave sensors, the Hydro-Probe SE can be remotely configured using a digital serial connection and a PC running Hydro-Com diagnostics software. For communication with a PC, Hydronix supply RS232-485 converters, a USB Sensor Interface Module and an Ethernet Adapter Kit (see Chapter 3).

The Hydro-Probe SE can be connected to a control system in three ways:

- Analogue output– A DC output is configurable to:
 - 4-20 mA
 - 0-20 mA
 - 0-10 V output can be achieved using the 500 Ohm resistor supplied with the sensor cable.
- Digital control – an RS485 serial interface, USB Sensor Interface Module or Ethernet Adapter permits direct exchange of data and control information between the sensor and the plant control computer.
- Compatibility mode - Not used in this sensor.

The digital inputs and output enables the moisture to be averaged when material is flowing, essential for obtaining representative moisture for process control.

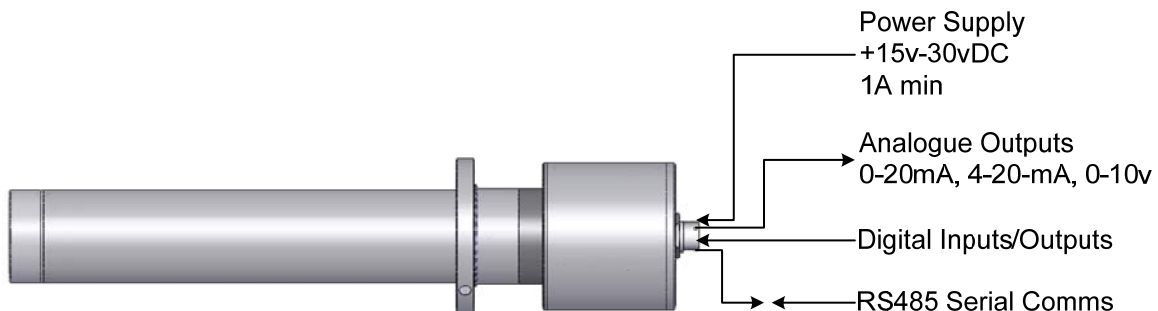


Figure 2: Connecting the sensor (overview)

1 General to all applications

Follow the advice below for good sensor positioning:

- The 'sensing area' of the sensor (ceramic face plate) should always be positioned in the moving stream of material.
- The sensor should not obstruct the material flow.
- Avoid areas of severe turbulence. The optimal signal will be obtained where there is a smooth flow of material over the sensor.
- Position the sensor so that it is easily accessible for routine maintenance, adjustment and cleaning.
- To prevent damage to the sensor, position it as far as reasonably practical from sources of vibration.

2 Installing the Sensor

The Hydro-Probe SE is fitted to the vessel using the Mounting Boss (Part number 3010). A suitable hole will need to be cut to permit the installation of the Mounting Boss, see Figure 3 for dimensions. The Mounting Boss should be pressure tight welded to the vessel by a competent person in accordance with the local regulations and manufacturers' recommendations. The rubber gasket, supplied with the sensor, is installed between the Mounting Boss and the Mounting Flange on the sensor to ensure that a pressure tight seal is created, see Figure 4.

Due to variations in the design of vacuum vessels it is necessary to consult the manufacturer or a qualified person before any holes are cut or welding is attempted. During welding the sensor must be removed to protect the electronic circuitry within it.

The optimum location for the sensor varies depending on the type of installation – a number of options are detailed on the following pages.

Care should be taken to ensure that the Hydro-Probe SE has been correctly installed and in such a manner to ensure representative sampling of the material concerned. It is essential that the sensing part of the unit is fully inserted into the main flow of the material. It must not be installed in stagnant material or where a build-up may occur.

2.1 Mounting Arrangement

An optional Hydronix manufactured Mounting Boss (Part Number 3010) is available to assist with the installation of the Hydro-Probe SE in Pressure vessels (Figure 3). The Mounting Boss will need to be pressure tight welded to the Vessel.

It is important to note that the material must flow over the sensing faceplate of the Hydro-Probe SE, and that the flow must be as consistent as possible with minimal turbulence.

If installed in a pressurised environment the Mounting Boss must be installed by a competent person in accordance with best practice. All welds should be checked for integrity.

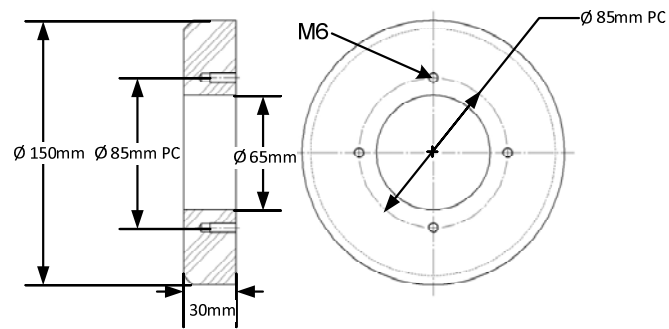


Figure 3: Mounting Boss

2.2 Mounting in a Vessel

The Hydro-Probe SE can be installed in a vessel.

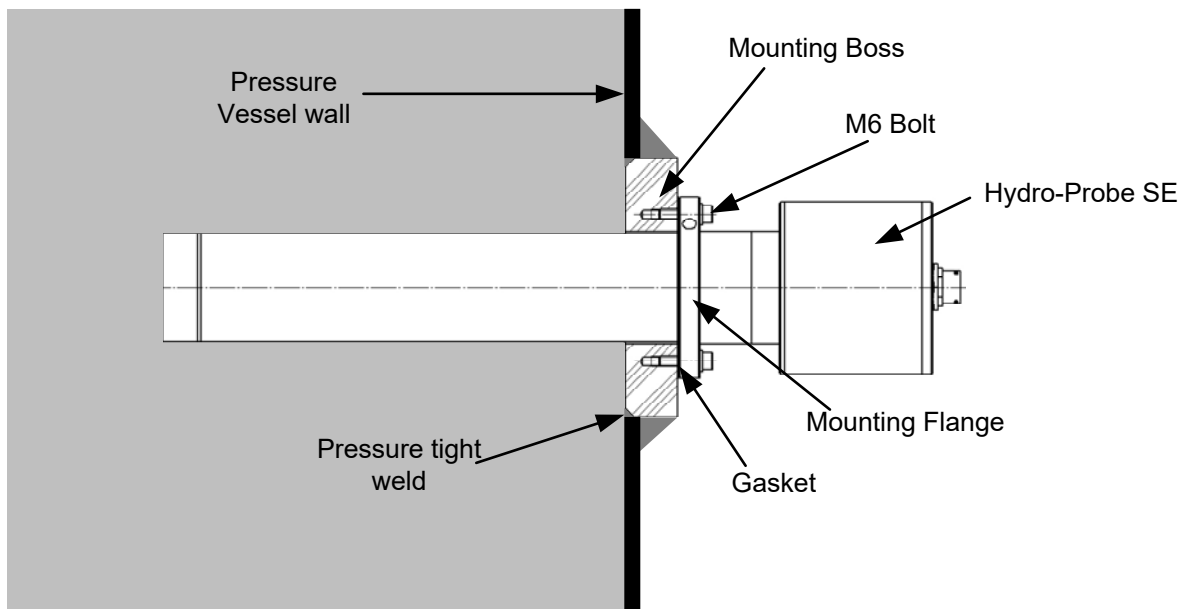


Figure 4: Mounting in a pressure vessel

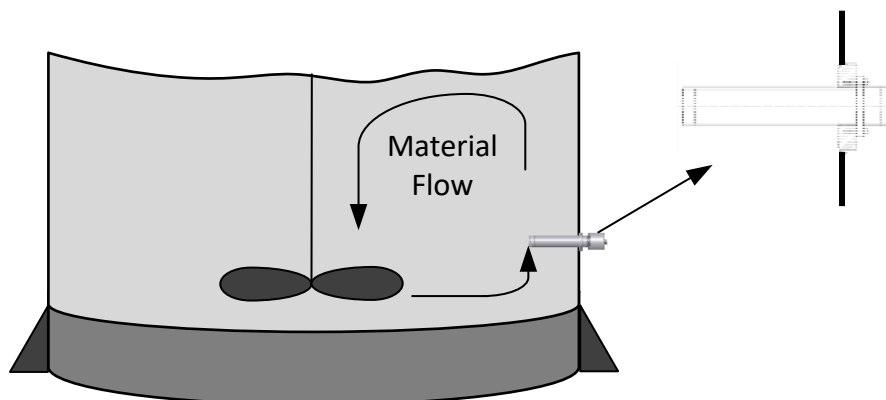


Figure 5: The sensor installed in a storage tank

2.3 Mounting in a pipeline measurement chamber

If the Hydro-Probe SE is to be installed in a measurement chamber in-line with a pipeline the chamber must remain completely full at all times to achieve reliable results. A bypass line should be installed to facilitate any maintenance of the sensor (Figure 6).

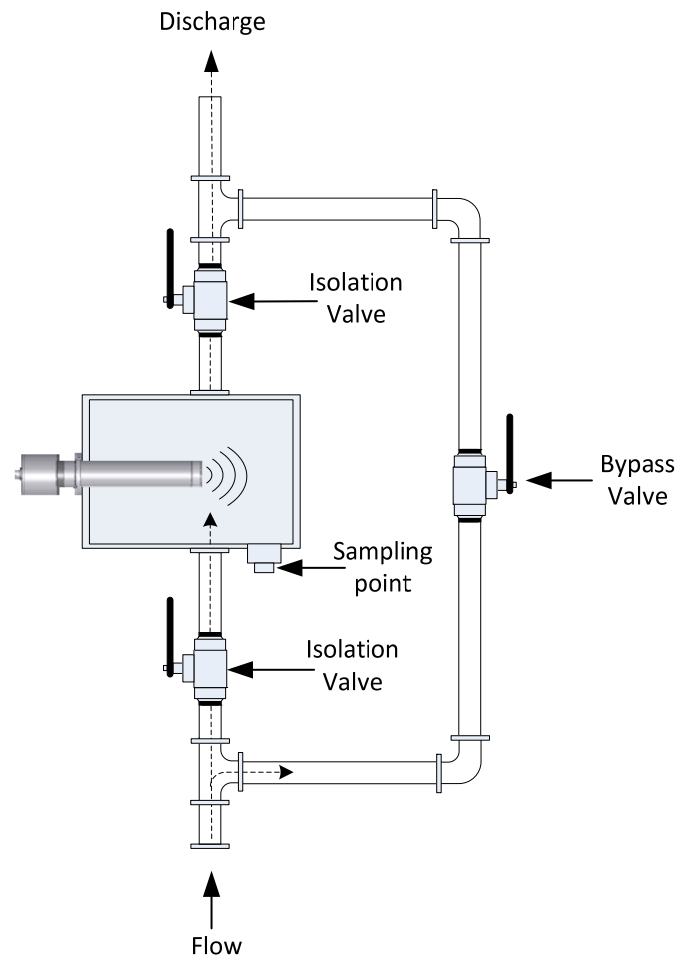


Figure 6: Measurement chamber in-line with pipeline

3 Maintenance

The sensor should be regularly inspected to ensure that material is not building up on the ceramic faceplate. If material is encrusted on the ceramic face plate the ability of the sensor to measure the moisture/Brix will be impaired. In the majority of cases the build-up will be removed during routine cleaning of the vessel.

Routine cleaning systems can be used to remove encrusted material from the sensor. The maximum temperature should be 120°C for short periods only.

A weak acid solution of Hydrochloric acid (0.5% @60°C) or an alkaline solution of Sodium Hydroxide (15%) can be used to remove excessive material on the ceramic face plate.

Hydronix supplies cable 0975 for use with the Hydro-Probe SE; this is available in different lengths. Any extension cable required should be connected to the Hydronix sensor cable using a suitable screened junction box. See Chapter 8 for details.

It is recommended to allow the sensor to stabilise for 15 minutes after applying power before use.

1 Installation guidelines

- Ensure that the cable is of a suitable quality (See Chapter 8 Section 2.1 for details).
- Ensure that the RS485 cable is taken back into the control panel. This can be used for diagnostic purposes and takes the minimum of effort and cost to connect at the time of installation.
- Route the signal cable away from any power cables.
- Check that the vessel is properly grounded.
- The sensor cable should **only** be grounded at the sensor end.
- Ensure that the cable screen is **not** connected at the control panel.
- Ensure that there is continuity of the screen through any junction boxes.
- Keep the number of cable joins to a minimum.

2 Analogue outputs

Two DC current sources generate analogue signals proportional to separately selectable parameters (e.g. Brix, Moisture, Unscaled etc.). See Chapter 4 or the Hydro-Com User Guide HD0273 for further details. Using the Hydro-Com software the outputs may be selected to be:

- 4-20 mA
- 0-20 mA (0-10 V output can be achieved using the 500 Ohm resistor supplied with the sensor cable).

Sensor cable (Part no 0975) connections:

Twisted Pair Number	MIL spec pins	Sensor connections	Cable colour
1	A	+15-30V DC	Red
1	B	0V	Black
2	C	1 st Digital input	Yellow
2	--	-	Black (Cut back)
3	D	1 st Analogue Positive (+)	Blue
3	E	1 st Analogue Return (-)	Black
4	F	RS485 A	White
4	G	RS485 B	Black
5	J	2 nd Digital input	Green
5	--	-	Black (Cut back)
6	K	2 nd Analogue Positive (+)	Brown
6	E	2 nd Analogue Return (-)	Black
	H	Screen	Screen

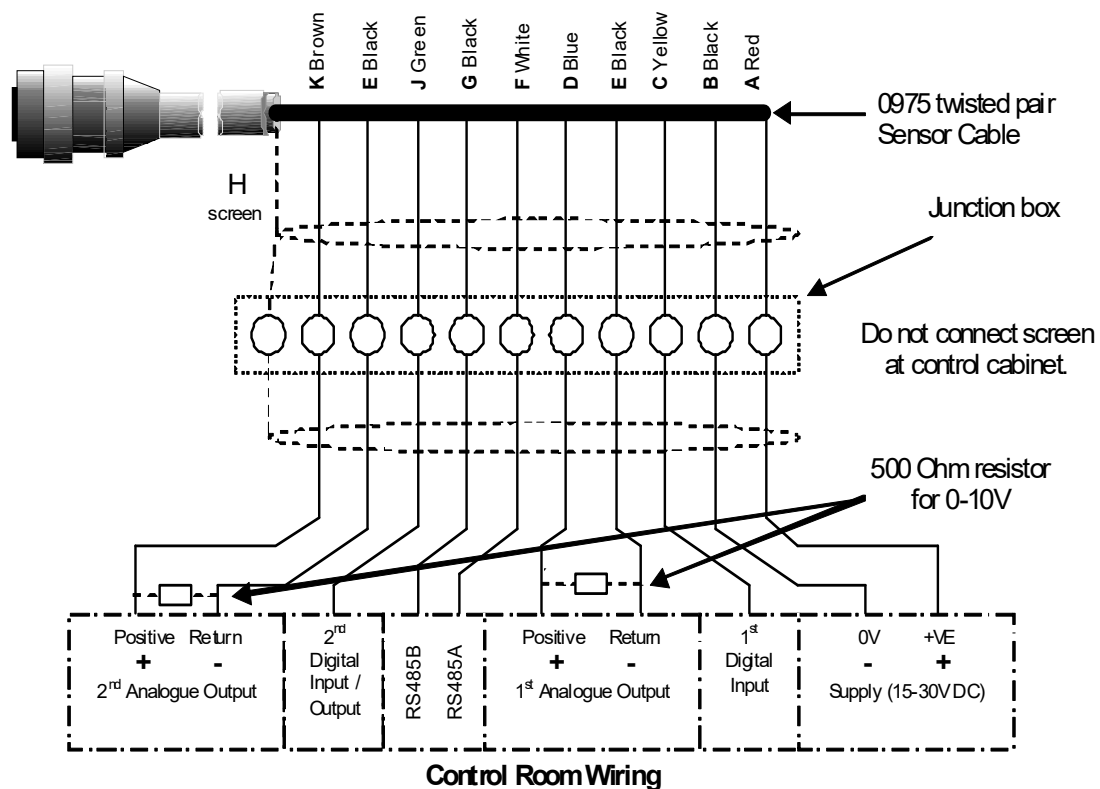


Figure 7: 0975 Sensor cable connections

Note: The cable screen is grounded at the sensor. It is important to ensure that the plant where the sensor is installed is properly grounded.

3 RS485 multi-drop connection

The RS485 serial interface enables up to 16 sensors to be connected together via a multi-drop network see Figure 8. Each sensor should be connected using a suitable junction box, see Chapter 8 Technical specification for details.

RS485 line termination will not normally be required in applications with up to 100 m of cable. For longer lengths connect a resistor (approximately 100 Ohm) in a series with a 1000pF capacitor across each end of the cable.

It is highly recommended that the RS485 signals be run to the control panel even if they are unlikely to be used as this will facilitate the use of diagnostic software should the need arise in the future.

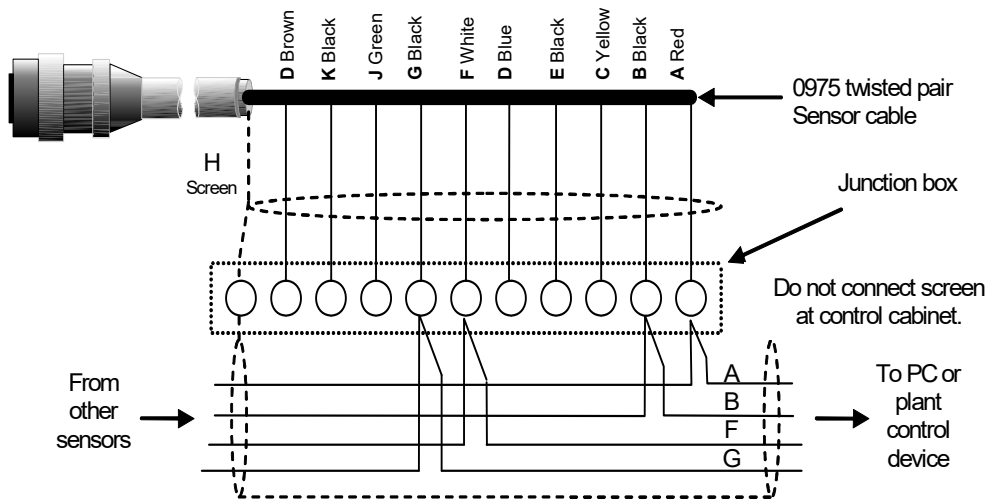


Figure 8: RS485 multi-drop connections

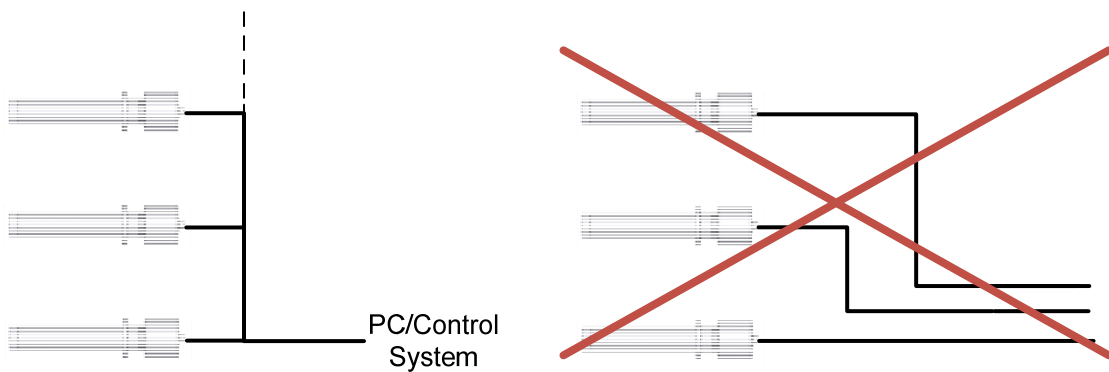


Figure 9: Multi-Drop RS485 wiring method

4 Digital input/output connections

The Hydro-Probe SE has two digital inputs, the second of which can also be used as an output for a known state. Full descriptions of how the digital inputs/outputs can be configured are included in Chapter 4. The most common use of the digital input is for batch averaging, where it is used to indicate the start and end of each batch. This is recommended as it provides a representative reading of the full sample during each batch.

An input is activated using 15 – 30Vdc into the digital input connection. The sensor power supply may be used as an excitation supply for this, or alternatively an external source may be used as shown below.

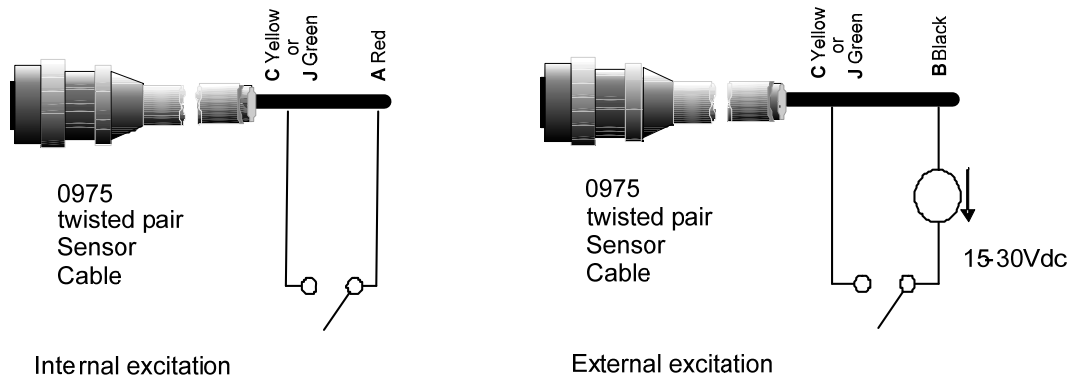
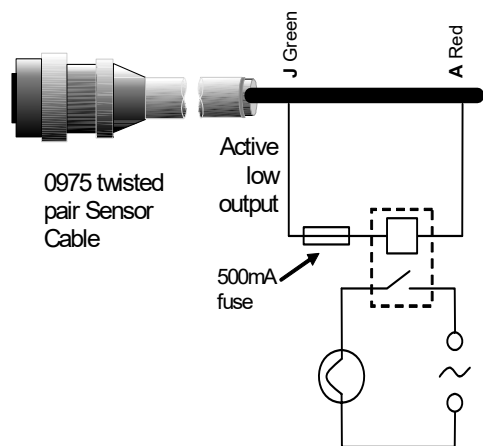


Figure 10: Internal/external excitation of digital input 1 & 2

When the digital output is activated the sensor internally switches pin J to 0V. This can be used to switch a relay for a signal such as ‘Vessel empty’ (see Chapter 4). Note that the maximum current sink in this case is 500mA and in all cases over current protection should be used.



Digital Output switch – example using ‘Bin Empty’ signal to turn on a lamp

Figure 11: Activation of digital output 2

5 Connecting to a PC

A converter is required to connect one or more sensors to a PC when checking diagnostics and configuring the sensor. There are three types of converter recommended by and available from Hydronix.

5.1 RS232/485 converter – D type (Part no: 0049B)

Manufactured by KK systems, this RS232 to RS485 converter is suitable for connecting up to six sensors on a network. The converter has a terminal block for connecting the twisted pair RS485 A and B wires and can then be connected directly in to the PC serial communication port.

Hydronix Part No 0049B

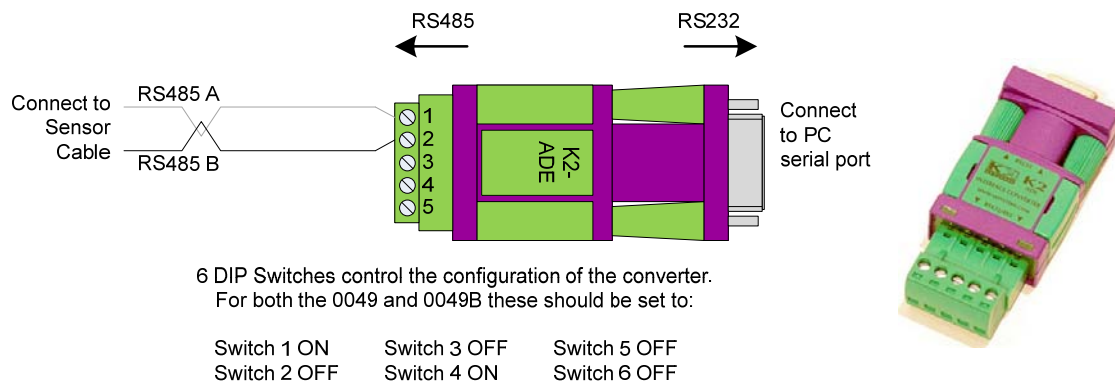


Figure 12: RS232/485 converter connections (0049B)

5.2 RS232/485 converter – DIN rail mounting (Part no: 0049A)

Manufactured by KK systems, this powered RS232 to RS485 converter is suitable for connecting up to 16 sensors on a network. The converter has a terminal block for connecting the twisted pair RS485 A and B wires and can then be connected to a PC serial communication port.

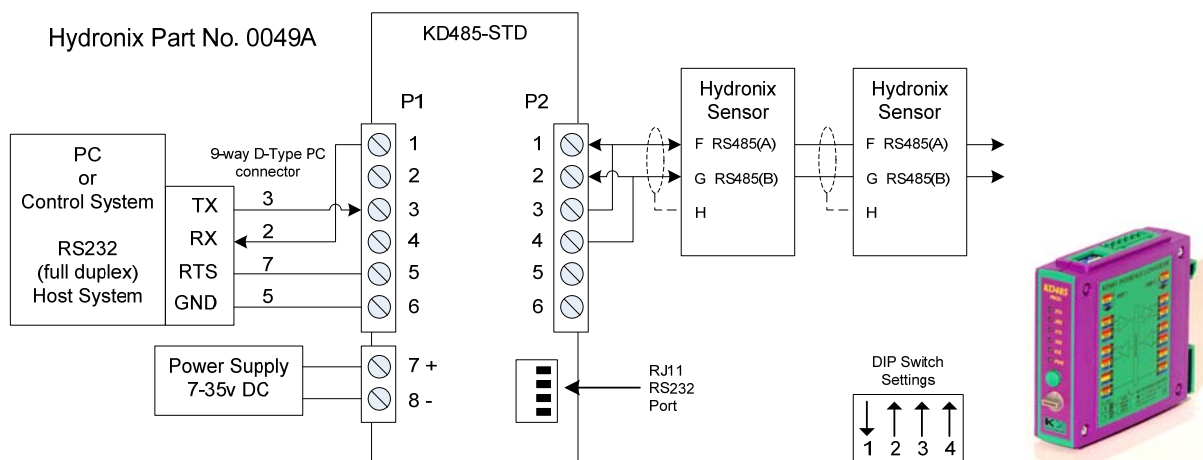


Figure 13: RS232/485 converter connections (0049A)

5.3 USB Sensor Interface Module (Part no: SIM01A)

Manufactured by Hydronix, the USB-RS485 converter is suitable for connecting any number of sensors on a network. The converter has a terminal block for connecting the twisted pair RS485 A and B wires, and then connects to a USB port. The converter does not require external power, although a power supply is supplied and can be connected providing power to the sensor. See USB Sensor Interface Module User Guide (HD0303) for further information.

Hydronix Part No. SIM01

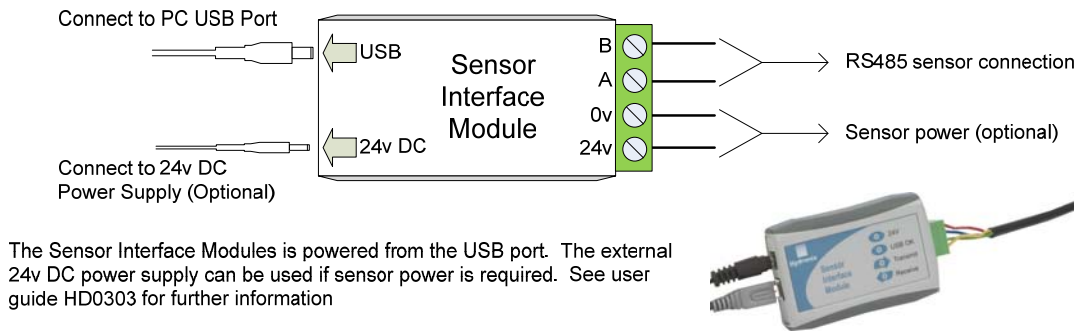


Figure 14: SIM01 USB-RS485 converter connections

5.4 Ethernet Adapter Kit (Part no: EAK01)

Manufactured by Hydronix, the Ethernet adapter is suitable for connecting up to 16 sensors to a standard Ethernet network. An optional Ethernet Power Adapter Kit (EPK01) is also available which eliminates the need for additional expensive cables to be run to a remote location which does not have local power. If this is not used then the Ethernet adapter will require a local 24v power supply.

Hydronix Part No: EAK01

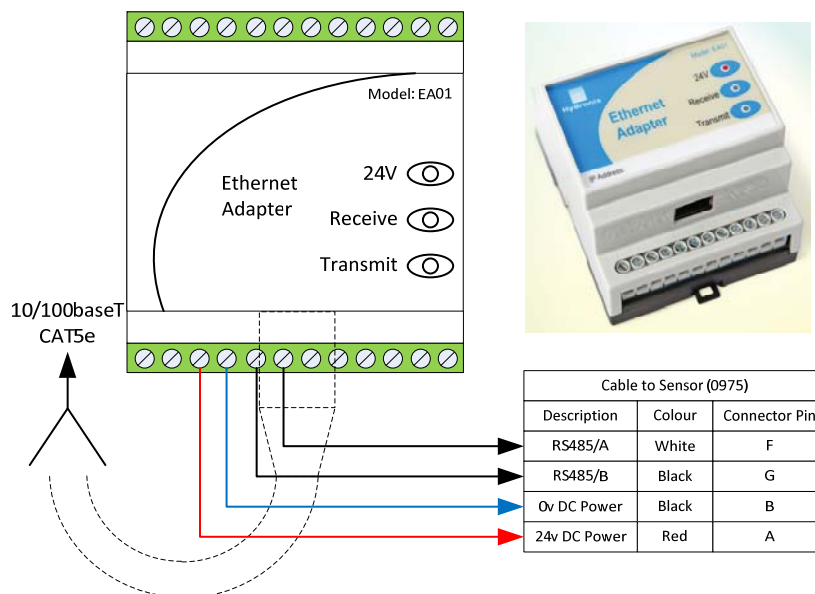


Figure 15: Ethernet Adapter Connections (EAK01)

Hydronix Part No: EPK01

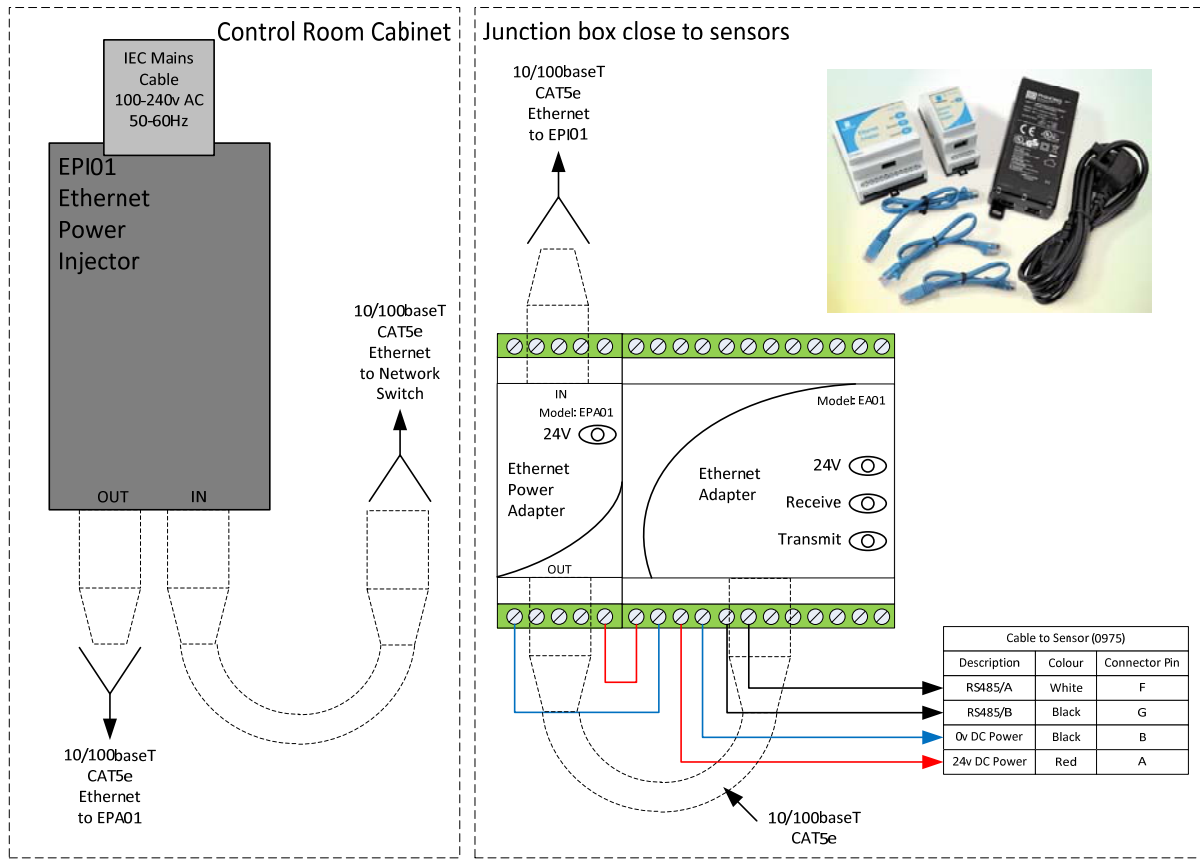


Figure 16: Ethernet Power Adapter Kit connections (EPK01)

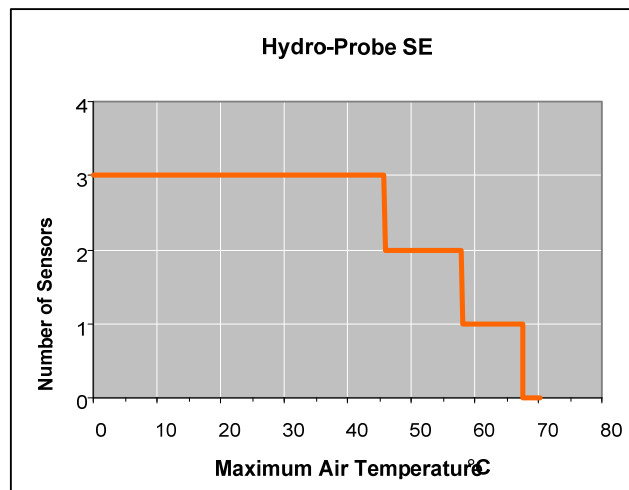


Figure 17: Maximum number of sensor connections dependent upon ambient temperature

NOTE: Operation above these limits may cause premature failure of the unit.

1 Configuring the Sensor

The Hydro-Probe SE has a number of internal parameters which may be used to optimise the sensor for a given application. These settings are available to view and change using the Hydro-Com software. Information for all settings can be found in the Hydro-Com User Guide (HD0273).

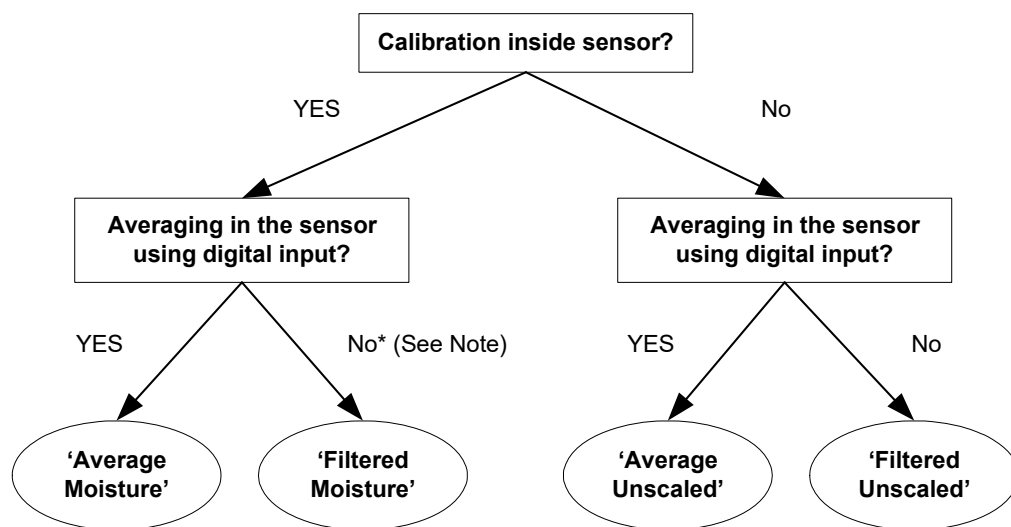
Both the Hydro-Com software and the User Guide can be downloaded free of charge from www.hydronix.com

All Hydronix sensors operate in the same way and use the same configuration parameters. The parameter used will depend on the application. For example, averaging parameters are typically only used for batch processes.

2 Analogue output setup

The working range of the two current loop outputs can be configured to suit the equipment to which it is connected, for example a PLC may require 4 – 20 mA or 0 – 10V DC input signal. The outputs may also be configured to represent different readings generated by the sensor e.g. Brix or Moisture

Figure 18 may be used to assist in selecting the correct analogue output variable for a given system.



* Note: It would be advisable to average in the control system here

Figure 18: Guidance for setting output variables

2.1 Output type

This defines the type of analogue outputs and has three options:

0 – 20mA: The addition of an external 500 Ohm precision resistor converts to 0 – 10V DC.

4 – 20mA.

Compatibility: This is not used by the Hydro-Probe SE.

2.2 Output variable 1 and 2

These define which sensor readings the analogue output will represent and has 5 options.

NOTE: This parameter is not used if the output type is set to 'Compatibility'

2.2.1 Filtered Unscaled

This represents a value which is proportional to moisture and ranges from 0 – 100. An Unscaled value of 0 is the reading in air and 100 would relate to a reading in water.

2.2.2 Average Unscaled

This is the 'Raw Unscaled' variable processed for batch averaging using the averaging parameters. If averaging is required it is recommended to use the averaging functionality within the sensor. To obtain an average reading, the digital input must be configured to 'Average/Hold'. When this digital input is switched to high, the raw Unscaled readings are averaged. When the digital input is low, this average value is held constant.

2.2.3 Filtered Moisture %

It is possible for the sensor to output a value that is proportional to the moisture content of a material. In such cases the sensor will require calibrating to the given material. The calibration requires the relationship between the Unscaled readings of the sensor and the associated moisture percentage of the material to be defined (see Figure 19).

Selecting 'Filtered Moisture %' will configure the sensor to output the calibrated moisture value.

2.2.4 Average Moisture %

If averaging is required it is recommended to use the averaging functionality within the sensor. The Average Moisture % is the 'Raw Moisture %' variable that has been processed for batch averaging using the sensor's averaging parameters. To obtain an average reading, the digital input must be configured to 'Average/Hold'. When this digital input is switched high, the Raw Moisture readings are averaged. When the digital input is low this average value is held constant.

2.2.5 Brix

It is possible for the sensor to output a value that is proportional to the Brix content of a material. In such cases the sensor will require calibrating to the given material. The calibration requires the relationship between the Unscaled readings of the sensor and the associated Brix value of the material to be defined (see Brix Calibration Chapter 5 Section 4).

Selecting 'Brix' will configure the sensor to output the calibrated Brix value.

2.2.6 Material Temperature

The Hydro-Probe SE has a temperature sensor attached to the metal of the sensing head. This can be used to output the current material temperature. The output value is set at 0°C equals 0mA (or 4mA dependent upon the output set-up) and 100°C equals 20 mA.

2.3 Low % and High%

These two values set the moisture range when the output variable is set to 'Filtered Moisture %' or 'Average Moisture %'. The default values are 0% and 20% where:

0 - 20mA 0mA represents 0% and 20mA represents 20%

4 - 20mA 4mA represents 0% and 20mA represents 20%

Where Brix is the selected output variable the default values are 0 Brix and 20 Brix. This should be adjusted to suit the application; typically this should be set to 0 Brix and 100 Brix.

These limits are set for the working range of the moisture/Brix and must be matched to the mA to moisture/Brix conversion in the batch controller.

3 Digital inputs/output setup

The sensor has two digital inputs/output; the first can be configured as an input only. The second can be either an input or output.

The first digital input can be set to the following:

Unused:	The status of the input is ignored
Average/Hold	This is used to control the start and stop period for averaging. When the input signal is activated, the 'Raw' values (Unscaled and Moisture) start to average (after a delay period set by the 'Average/Hold delay' parameter). When the input is then deactivated, averaging is stopped and the average value is held constant so that it can be read by the batch controller PLC. When the input signal is activated once again, the average value is reset and averaging commences.
Moisture/Temperature:	Gives the user the ability to switch the analogue output between the Unscaled, Moisture or Brix (whichever is set) and temperature. This is used when the temperature is required whilst still using only one analogue output. With the input active, the analogue output will indicate the appropriate moisture variable (Unscaled or moisture). When the input is activated, the analogue output will indicate the material temperature (in degrees centigrade). Temperature scaling on the analogue output is fixed – zero scale (0 or 4mA) corresponds to 0°C and full scale (20mA) to 100°C.

The second digital input/output can also be set to the following outputs:

Bin Empty:	This output is energised if the Unscaled value goes below the Low Limits defined in the Averaging section. This can be used to signal to an operator when the sensor is in air (as the sensor's value goes to zero in air) and can indicate a vessel empty state.
Data Invalid:	This output is energised if the Unscaled value goes outside of any of the limits defined in the averaging section. This may be used to provide a high and low level alarm.
Probe OK:	This option is not currently implemented in this sensor.

An input is activated using 15 – 30V DC into the digital input connection. The sensor power supply may be used as an excitation supply for this, or alternatively an external source may be used as in Figure 10.

4 Filtering

The default filtering parameters can be found in Appendix A.

The Raw Unscaled reading, which is measured 25 times per second, may contain a high level of 'noise' due to irregularities in the signal as the material flows. As a result, this signal requires a certain amount of filtering to make it usable for moisture control. The default filtering settings are suitable for most applications, however they can be customised if required to suit the application.

It is not possible to have default filtering settings that are ideally suited to all applications because each will have different characteristics. The ideal filter is one that provides a smooth output with a rapid response.

The Raw Moisture % and Raw Unscaled settings should **not** be used for control purposes.

The Raw Unscaled reading is processed by the filters in the following order; first the Slew Rate Filters limit any step changes in the signal, then the Digital Signal Processing Filters remove any high frequency noise from the signal and finally the smoothing filter (set using the Filtering Time function) smoothes the whole frequency range. Each filter is described in detail below.

4.1 Slew Rate Filters

The Slew Rate Filters are useful for clipping large spikes or troughs in the sensor reading caused by mechanical interference in a process.

These filters set rate limits for large positive and negative changes in the raw signal. It is possible to set limits for positive and negative changes separately. Options are: None, Light, Medium and Heavy. The heavier the setting, the more the signal will be 'dampened' and the slower the signal response.

4.2 Digital Signal Processing

The Digital Signal Processing Filters (DSP) removes excessive noise from the signal using an advanced algorithm. The filter reduces high frequency noise. The advantage of this filter is that the DSP filter will treat all signals within a meaningful frequency range as valid. The result is a smooth signal that responds rapidly to changes in moisture.

DSP filters are particularly useful in high noise applications such as a mixing environment. They are less appropriate for low noise environments.

Options are: None, Very Light, Light, Medium, Heavy and Very Heavy.

4.3 Filtering Time (Smoothing Time)

The Filtering Time smoothes the signal after it has first passed through the Slew Rate filters and then the DSP filters. The filter smoothes the whole signal and will therefore slow the signal response. The Filtering Time is defined in seconds

Options are: 0, 1, 2.5, 5, 7.5, 10 and a custom time of up to 100 seconds.

4.4 Averaging parameters

During averaging the sensor uses the Raw Unscaled value. All the filters are unused. These parameters determine how the data is processed for batch averaging when using the digital input or remote averaging. They are not normally used for continuous processes.

4.4.1 Average/Hold delay

When using the sensor to measure the Moisture/Brix content of a material as it is discharged from a vessel, there is frequently a short delay between the control signal issued to begin the batch and the material beginning to flow over the sensor. Moisture/Brix readings during this time should be excluded from the average value as they

are likely to be unrepresentative static measurements. The 'Average/Hold' delay value sets the duration of this initial exclusion period. For most applications 0.5 seconds will be adequate but it may be desirable to increase this value.

Options are: 0, 0.5, 1.0, 1.5, 2.0 and 5.0 seconds.

4.4.2 High Limit and Low Limit (Alarms)

The High Limit and Low Limit may be set for both the moisture %/Brix and the sensor Unscaled value. The two parameters operate concurrently.

If the sensor reading falls outside of these limits during sensor averaging the data will be excluded from the average calculation.

The Bin Empty output will activate when the reading is below the Low Limit.

The Data Invalid output will activate when the reading is above the High Limit or below the Low Limit.

5 Alternative Measurement Modes

The Hydro-Probe SE has the option of selecting alternative measurement modes. The modes have been carefully designed to ensure that the sensor may be configured for maximum sensitivity across a wide variety of materials.

The default Measurement Mode for the Hydro-Probe SE is 'Standard Mode'.

Options are: Mode V, Mode E and Standard Mode.

It is recommended that the modes are only changed after comparing the effectiveness of each mode in the specific application. In-situ trials may be conducted using the Hydronix Hydro-Com software to record data and compare the effectiveness of each mode.

5.1 When to use alternative Measurement Modes

The most appropriate mode will be determined by the requirements of the user, the application and the material being measured.

Precision, stability and density fluctuations as well as the working moisture range are all factors that may determine the choice of measurement mode.

Mode V is often associated with agricultural and biomass materials. It is also suited to other variable or low density materials.

Mode E is designed to be used for measuring in similar materials to Mode V. Mode E is more sensitive than Mode V and therefore the sensor reading may become saturated at a lower moisture percentage. This may limit the maximum moisture percentage that the sensor can measure.

Standard Mode is recommended for use in very wet materials and for Brix.

The objective is to choose the Mode that gives the most desirable (often smoothest) signal response and most accurate moisture or Brix determination across the full working range.

5.2 Effects of selecting different Measurement Modes

The ability to select the fundamental Measurement Mode enables the user to choose the Mode that reduces the slope of the calibration line (see Figure 19, line B). The mathematical algorithms employed in the sensor have been specially devised to respond in a different manner dependant on the material being measured. All modes will give a stable linear output, however, line 'B' will give better precision and accuracy. Mode V and Mode E will also be less susceptible to density fluctuations.

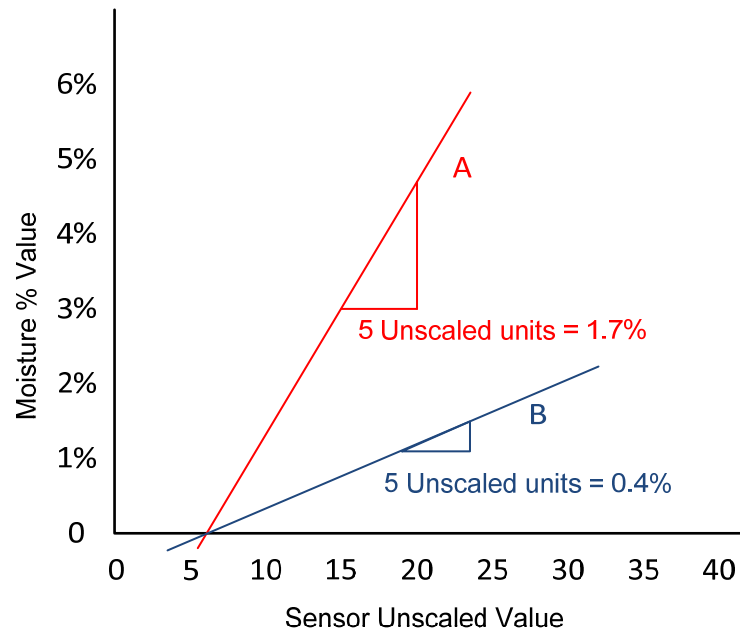


Figure 19: Relationship of moisture % to Unscaled values

In certain materials such as organic products the relationship between Unscaled values and moisture means that a smaller change in Unscaled values gives a large change in the moisture value when operating in Standard Mode. This makes the sensor less precise. In Figure 19 below, calibration line A is less precise than calibration line B.

When measuring in any material it is important that a small change in moisture level gives a large change in the Unscaled sensor reading. This will give the most precise calibrated output. However, it is also important that the sensor remains capable of measuring over the full range required. If the sensor is configured to be too sensitive the sensor will reach its maximum value at a lower moisture level and will be unable to read above this point.

The working range of the sensor should be checked, particularly if the sensor is configured to Mode E or Mode V.

To determine which mode is the most appropriate it is recommended to run trials for a given material and application.

For a measurement taken over time it is recommended to record the sensor's output from each of the different measurement modes in the same process. Data can easily be recorded using a PC and the Hydronix Hydro-Com software, these results may then be plotted in a spread sheet. When viewed in graph form it is often self-evident which mode gives the desired performance characteristics.

Hydronix can supply additional software to assist with detailed analysis of the measurement modes and optimisation of the sensor filtering parameters if required.

Hydro-Com software and the user guide may be downloaded from www.hydronix.com.

When using the sensor to obtain an output signal that is calibrated to moisture (an absolute moisture measurement) it is recommended to calibrate using the different measurement modes and to compare results (see Calibration Chapter 5).

For further information please contact the Hydronix support team at support@hydronix.com

1 Introduction to material calibration

1.1 The “Unscaled” Value

When it is manufactured, each sensor is individually calibrated in a controlled environment so that a zero (0) value relates to the measurement in air and 100 relates to water. This is used to give a raw output value from a Hydronix sensor which ranges from 0 to 100 and is called the Unscaled value.

1.2 Why Calibrate?

The Hydro-Probe SE measures the electrical properties of a material.

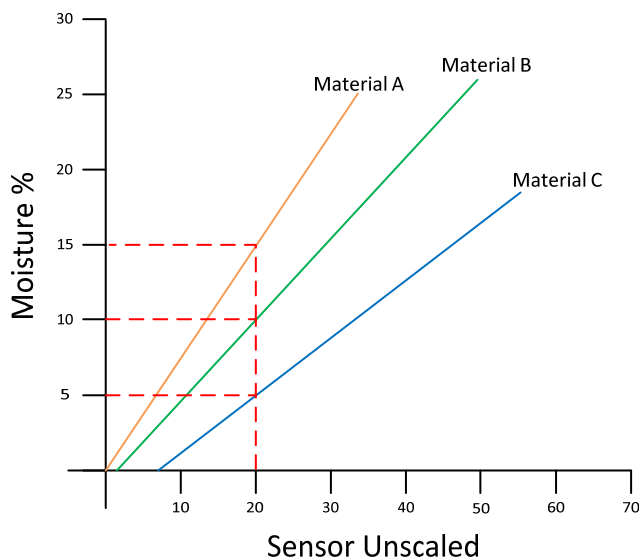
As the moisture or Brix content changes in the material the sensor's Unscaled value will change accordingly. The rate of change of the Unscaled value will vary dependant on the properties of the material.

Because different materials have different electrical properties the Unscaled value at a certain moisture % in one material will equate to a different moisture % in a different material.

Because of this it is necessary to calibrate the sensor if a true moisture % or Brix value is required.

Figure 20 (left) shows the calibration line for three different materials, this example is using moisture %. It can be seen that for each material when the Unscaled value is at 20 the corresponding Moisture % is different. For material A an Unscaled value of 20 corresponds to a moisture of 15%, at the same Unscaled for Material B the moisture is 10%.

Note that the relationship between the Brix and the Unscaled value is non-linear (Not shown).



Sensor Unscaled	Laboratory Result
10	5
20	10
30	15
40	20

Figure 20: Calibrations for 3 different materials (Left) and typical calibration data (Right)

A sensor material calibration correlates the Unscaled value to a 'True' moisture % or Brix value (Figure 20 (Right)). This correlation is determined by measuring the Unscaled value of a material at various moisture % or Brix values and collecting a sample of the material. The moisture % or Brix value in the sample is then determined using an accurate laboratory process. The recommended process is detailed in this user guide.

If an absolute moisture or Brix value is required it is necessary to calibrate the sensor. However, for some processes this is not required and it is more useful to use the Unscaled value as a target or as a measure of the repeatability in a process.

All installations should be calibrated in-situ. It is not possible to calibrate without installing the sensor in the process.

If calibrated, the calibration should be periodically checked to ensure that no underlying changes in the material have occurred that may affect the validity of the calibration dataset used.

1.3 Material Changes

It is important to position the sensor where there is an adequate and consistent flow of material. Fluctuations in the composition of the material such as varying blends, density or compaction may adversely affect the validity of the calibration. See Chapter 2 for mounting advice.

For further advice regarding specific applications please consult the Hydronix support team support@hydronix.com

1.4 The Calibration Types

The Hydro-Probe SE can be calibrated to a moisture percentage or a Brix Value.

A material calibration for moisture is normally linear, and calibrating to this is described in Chapter 5 section 3.

For a Brix calibration a different type of line is used and this type of calibration is described in Chapter 5 section 4 .

There is also a quadratic function for use in the rare cases when the measurement of the material exhibits non-linear characteristics, a quadratic term can be used in the calibration equation as shown below.

$$\text{Moisture \%} = \mathbf{A} \times (\text{Unscaled reading})^2 + \mathbf{B} (\text{Unscaled reading}) + \mathbf{C} - \mathbf{SSD}$$

Use of the quadratic coefficient (A) would only be necessary in complex applications and for most materials the calibration line will be linear in which case 'A' is set to zero.

For more information on quadratic calibrations and determining the calibration contact the Hydronix Support Department at support@hydronix.com.

2 Storing calibration data

There are two ways of storing the calibration data, either in the control system or in the Hydro-Probe SE. Both methods are shown below.

Calibration inside the sensor will require the coefficient values to be entered using the digital RS485 interface. True moisture can then be obtained from the sensor. To communicate using the RS485 interface, Hydronix has a utility, Hydro-Com, which contains dedicated material calibration pages, both for Moisture and Brix.

The procedures described in section 3.4 are recommended when calibrating the Hydro-Probe SE to material. These procedures use the Hydro-Com utility and the calibration information is stored inside the sensor. Whether the calibration data is stored within the sensor or the control system, the process is the same.

To calibrate outside of the sensor, the control system will require its own calibration function and the moisture conversion can then be calculated using the linear Unscaled output from the sensor. For guidance on setting the output see Chapter 4 Configuring the Sensor.

2.1 Calibration inside the Hydro-Probe SE

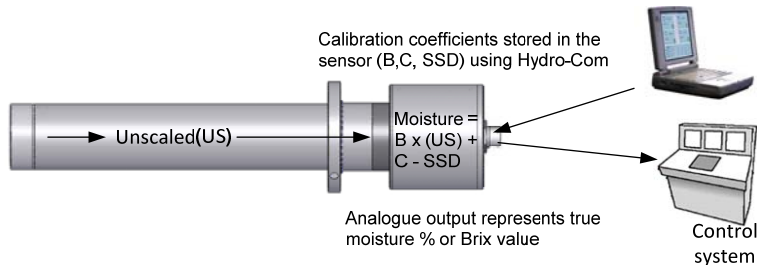


Figure 21: Calibration inside the Hydro-Probe SE

The advantages of calibrating inside the Hydro-Probe SE are:

- Advanced free software improving calibration accuracy, including diagnostics software.
- Control system does not need modification to calibrate the sensor.
- Calibrations can easily be transferred between sensors.

2.2 Calibration inside the control system

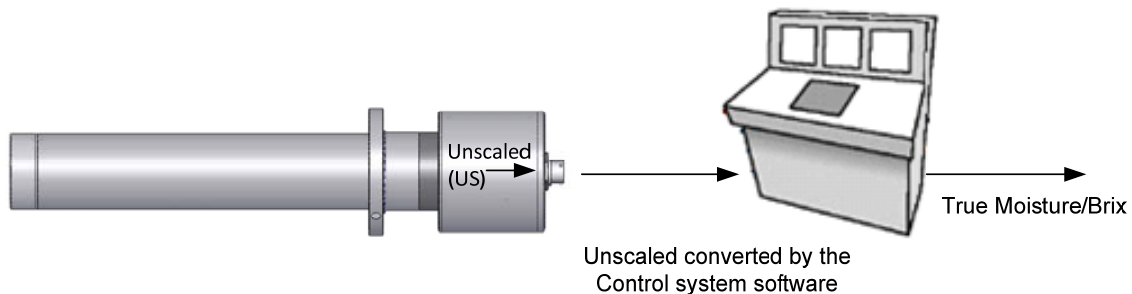


Figure 22: Calibration inside the control system

The advantages of calibrating inside the control system are:

- Direct calibration without the need for an additional computer or RS485 adapter.
- No need to learn how to use additional software.
- If it is necessary to replace the sensor, a replacement Hydronix sensor can be connected and valid results obtained immediately without connecting the sensor to a PC to update the material calibration.
- It is possible to have multiple calibrations to handle different materials in the same installation.

3 Moisture (Linear) Calibration

The sensor reading for measuring moisture in most materials is linear. Therefore a calibration line exists which is similar to the one shown below.

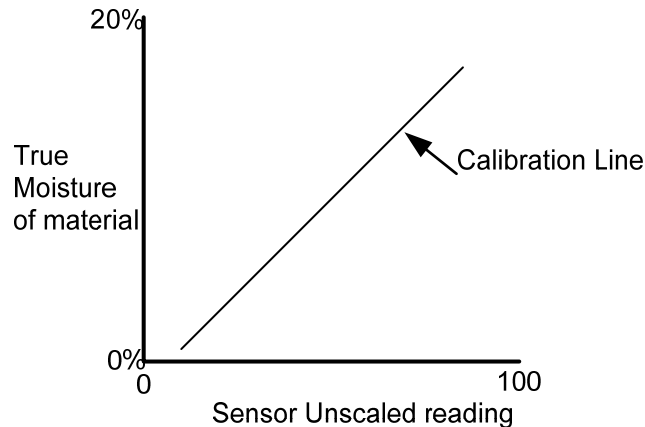


Figure 23: Calibration Line example

The equation of the calibration line is defined by a slope (B) and offset (C). An SSD input field is also given which allows a second offset to allow for the difference between total moisture and free moisture if needed. These values are the calibration coefficients and can be stored inside the sensor if required. Using these coefficients the conversion to moisture % is:

$$\text{Moisture \%} = \mathbf{B} \times (\text{Unscaled reading}) + \mathbf{C} - \mathbf{SSD}$$

To determine the calibration line, a minimum of two points are required. Each point is derived by flowing material over the sensor and finding the sensor's Unscaled reading, at the same time taking a sample of material and drying to find its true moisture content. This gives 'Moisture' and 'Unscaled' which can be plotted on a graph. With at least two points, a calibration line can be drawn.

There are international standards for testing and sampling that are designed to ensure that the moisture content derived is accurate and representative. These standards will define accuracy of weighing systems and sampling techniques in order to make the samples representative of the flowing material. For more information on sampling please contact Hydronix at support@hydronix.com or refer to your particular standard.

3.1 Saturated Surface Dry (SSD) Coefficients for Free Moisture Content

In practice it is only practicably possible to obtain oven dried moisture (total moisture) values for calibration purposes. If a free moisture value is required it is necessary to take into consideration adsorbed water within the material.

$$\mathbf{\text{Adsorbed water} + \text{Free moisture} = \text{Total moisture}}$$

The SSD Coefficient used in Hydronix procedures and equipment is a value that relates to the water absorption properties of the material, sometimes referred to as the Water Absorption Value (WAV). This value is determined by more complex means than oven drying and may usually be obtained from the material supplier. In the Hydro-Com calibration settings for the sensor the user may choose to enter the Water Absorption Value into the SSD Coefficient box to obtain a free water moisture % value.

The WAV (SSD) relates to the properties of the oven dry material and does not change. It is treated as an offset in the calibration. Figure 24 shows a typical calibration line (Total moisture) that has been offset using the SSD coefficient set at 5% (Free Moisture).

$$\mathbf{\text{Oven dried moisture \% (Total)} - \text{water adsorption value \% (SSD offset in the sensor)} = \text{surface moisture \% (free moisture)}}$$

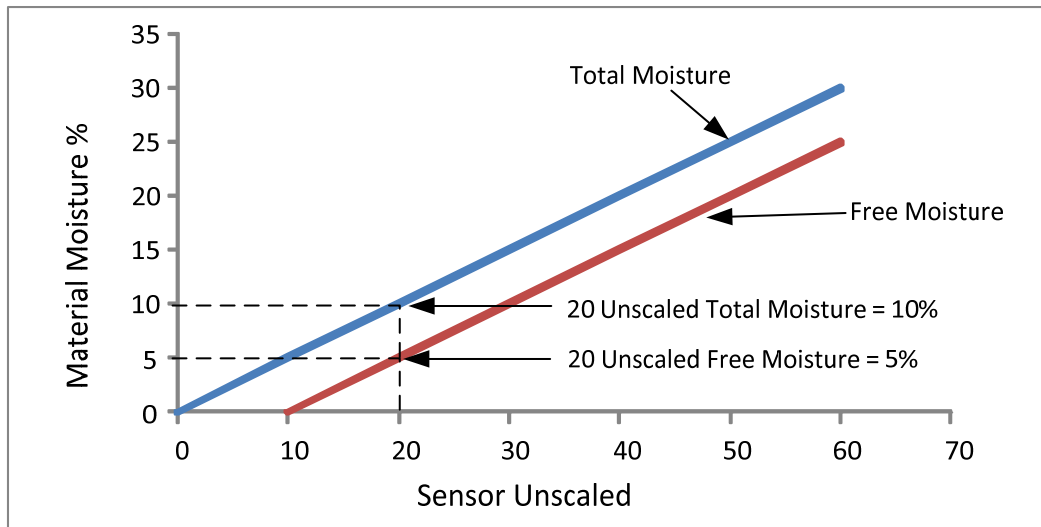


Figure 24: Calibrations using the SSD coefficient

3.2 Hints and safety

- Wear safety glasses and protective clothing to guard against expulsion of material during the drying process.
- Do not attempt to calibrate the sensor by packing material on the face. The readings obtained will not be representative of those from a real application.
- Whilst recording the sensor Unscaled output, always sample where the sensor is located.
- Average the sensor's readings using the inbuilt averaging facility. Where available use the digital input. If no input is available use Hydro-Com to control the averaging.
- Ensure the sensor sees a representative sample of material.
- Ensure a representative sample is taken for moisture testing.

NOTES: For full instructions on using Hydro-Com, refer to the *Hydro-Com User Guide (HD0273)*. In order to record all calibration data a sample record sheet is included in Appendix B. The same principles apply with or without using Hydro-Com when calibrating.

3.3 Sensor Settings

Sensor settings are configured using Hydro-Com, available free from the Hydronix web site www.Hydronix.com. See the Hydro-Com user guide HD0273 for full instructions.

- If the sensor is installed with the digital input wired into the control system then the digital input should be set to Average/Hold, set using Hydro-Com. When the process is running, the status should automatically change to 'Averaging' and when stopped it should show 'Hold'. The status can be checked using Hydro-Com.
- If the digital input is set to 'None' or 'Moisture/Temp', a Start Averaging button will be displayed alongside the average Unscaled value in the calibration section of Hydro-Com. This can be used to start and stop the averaging function.

3.4 Procedure

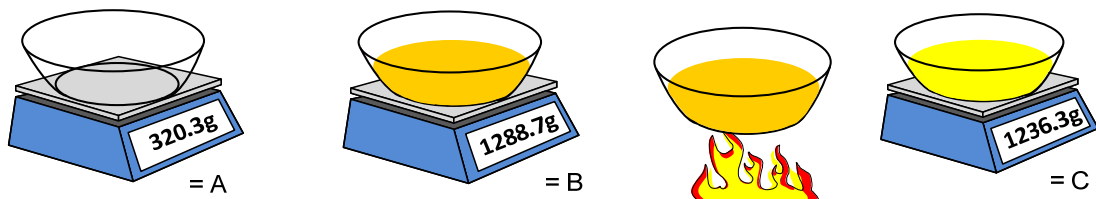
1. Ensure Hydro-Com is running with the calibration page open.
2. Create a new calibration.
3. Select the correct sensor from the pull-down list in the sensor frame.
4. Start the material flowing past the sensor and start the averaging function if it is not automatically started, then take a sample. Enough material should be collected to obtain a representation of the material flowing past the sensor. Only take a sample while the sensor is averaging.
5. Stop the material flow and then return to the computer, stop the averaging if it is not automatic, and record the 'Average Unscaled' output, which should show the 'Hold' status.
6. Mix the collected sample and determine the moisture content of the material using the appropriate lab procedure. The sample should be split into 3 equal parts and lab test should be performed on each part.
7. If the results of the 3 samples differ by 0.3% moisture then one of the samples has not been analysed correctly and the test needs to be restarted.
8. Record the average moisture of the three samples in the calibration table. The 'Moisture' and 'Unscaled' values make up one calibration point. Tick this point to include the values in the calibration.
9. Repeat steps 4 – 8 for additional calibration points. It may be best to choose a different time of day or different time of the year to ensure a wide range of moistures are sampled.

A good calibration is one where the calibration points cover the complete working range of the material, and all points lie on, or near to, a straight line. If any calibration points are suspected to be wrong, then they can be excluded from calibration by deselecting their corresponding tick box. It is generally recommended that a spread of at least 3% will give the best results.

When the calibration is finished, update the new calibration coefficients to the correct sensor by pressing the 'Write' button. The B, C and SSD values in the sensor frame will then match those values in the calibration frame. The moisture % output from the sensor should represent true moisture of the material. This can be verified by taking further samples and checking the laboratory moisture against the sensor output.

3.5 Calculating the moisture content

All calibrations in the user guide refer to the dry weight of the material.



$$\text{Moisture Content} = \frac{(B-C)}{(C-A)} \times 100\%$$

Example

$$\text{Moisture Content} = \frac{1288.7\text{g} - 1236.3\text{g}}{1236.2\text{g} - 320.3\text{g}} \times 100\% = 5.7\%$$

(Note that the moisture calculated here is based upon the dry weight.)

3.6 Good/bad moisture calibration

A good calibration is made by measuring samples and taking readings over the full working moisture range of the material. As many points as practical should be made as more points provide higher accuracy. The graph below shows a good calibration with high linearity.

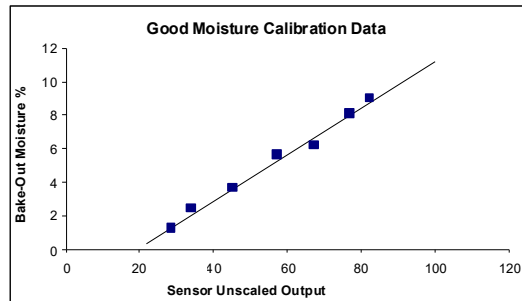


Figure 25: Example of a good material calibration

Calibration inaccuracy is likely to result if:

- Too small a sample of material is used for measuring the moisture content.
- A very small number of calibration points are used (in particular 1 or 2 points).
- The sub-sample tested is not representative of the bulk sample.
- Samples are taken close to the same moisture content, like the calibration graph shown below (left). A good range is necessary.
- There is a large scatter in the readings as shown in the calibration graph below (right). This generally implies an unreliable or inconsistent approach to taking samples for oven drying or poor sensor positioning with inadequate material flow over the sensor.
- If the averaging facility is not used to ensure representative moisture reading for the entire batch.

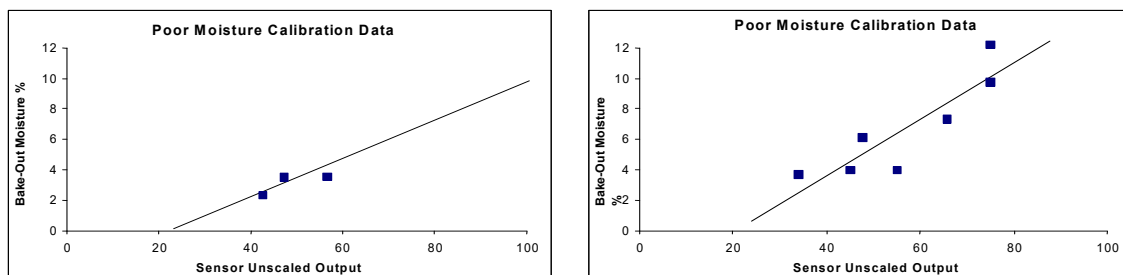


Figure 26: Examples of poor material calibration points

4 Brix Calibration

The Hydro-Probe SE has the ability to derive the Brix content of a liquid from the Unscaled value. This is a measure of the amount of dissolved solids that are in a liquid and is mainly used in the food industry.

The Brix calculation is different from the linear calculation used for moisture. To create a calibration line the following equation is used:

$$Brix = A - B \cdot e^{(C \cdot us)} + D \cdot us^2$$

where **us** is the Unscaled value from the sensor. This equation gives an exponential curve.

When using the sensors to measure Brix, the sensor must still be calibrated to the process being monitored. If Analogue Output 1 is set to output Brix then, when the Calibration button is pressed, the Brix calibration page will be displayed.

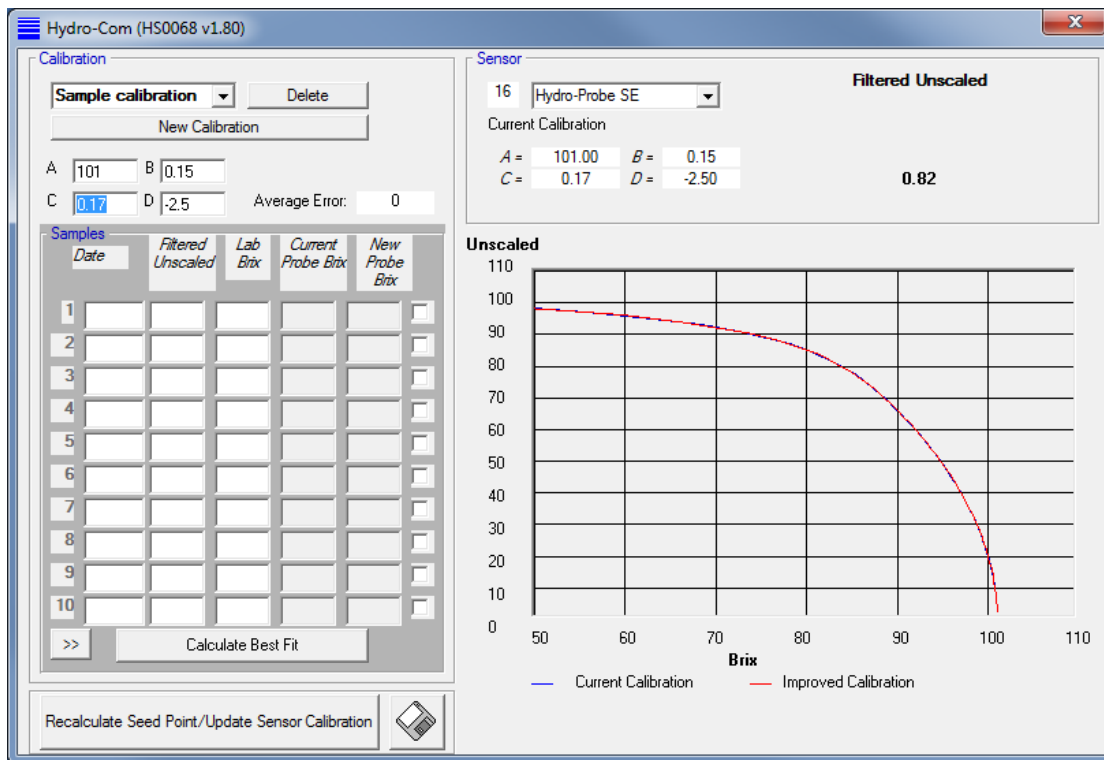


Figure 27: Hydro-Com new calibration screen

To calibrate the sensor, a number of Unscaled values need to be correlated to their corresponding Brix value.

4.1 Add Sample Points

The Unscaled reading has to be recorded whilst the process is running and a sample needs to be taken of the liquid that the sensor is measuring. The sample then needs to have the Brix content calculated in the laboratory and the results can be entered into Hydro-Com alongside the Unscaled reading.

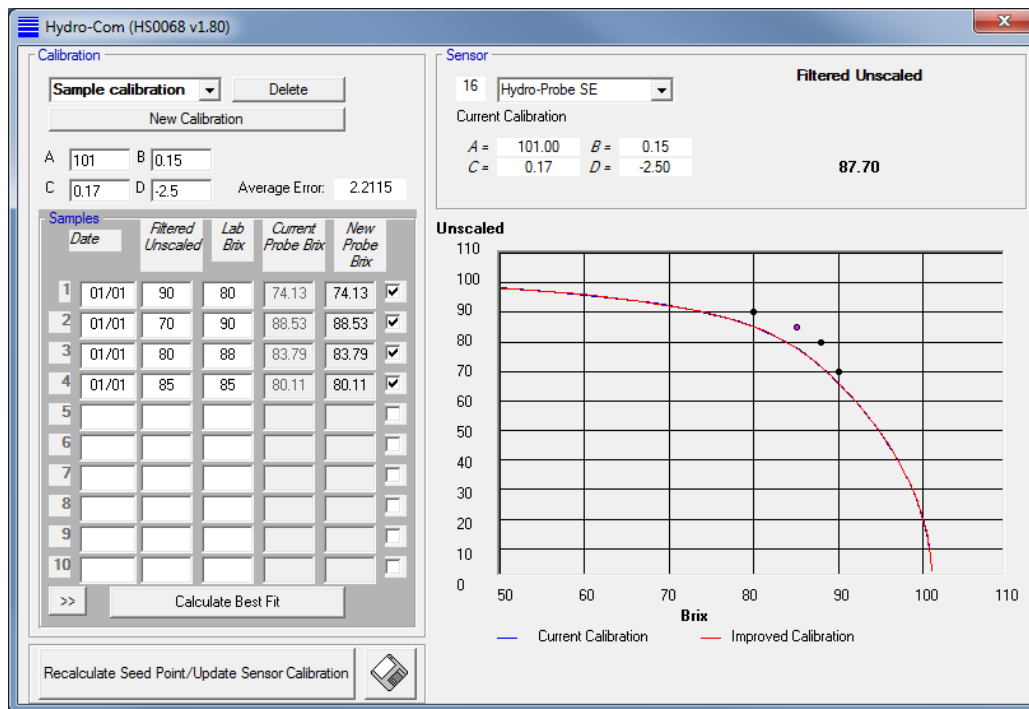


Figure 28: Unscaled and Brix values entered into Hydro-Com

Once a number of points have been entered into the list (Figure 28), the “Calculate Best Fit” button should be clicked.

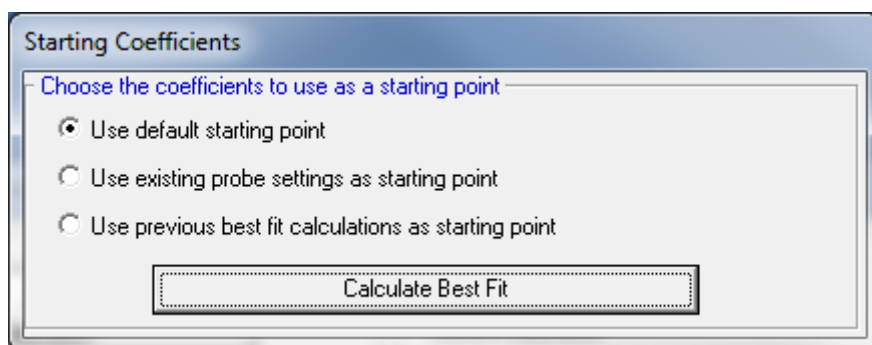


Figure 29: Starting point selector

A pop-up menu (Figure 29) will display a choice of methods in which to calculate the line of best fit through your calibration points. Each method calculates the line of best fit slightly differently. Three methods are given to ensure that the best possible fit may be achieved. The most commonly used is, ‘Use default starting point’. The other two methods may also be tried and the results viewed by eye (Figure 30).

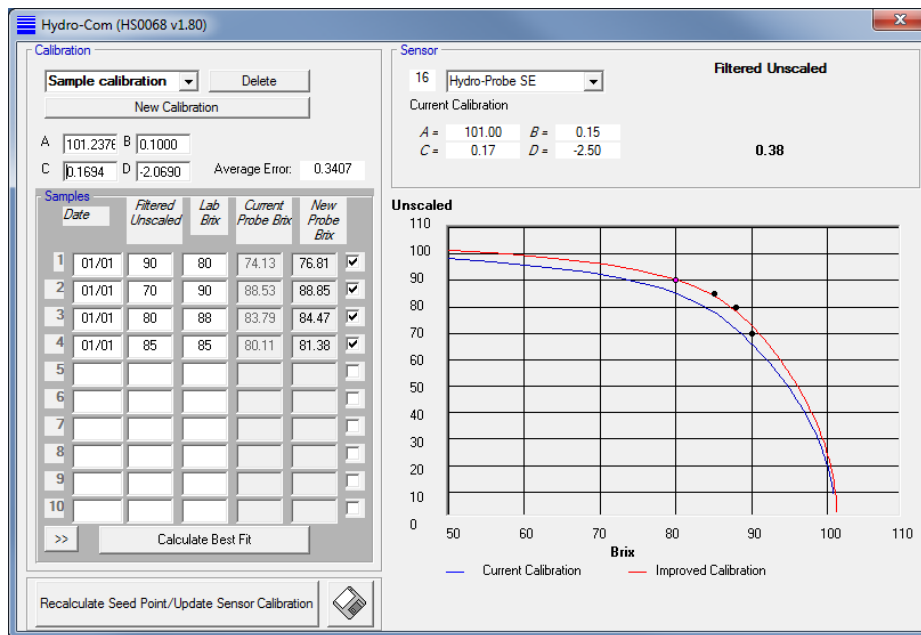


Figure 30: Hydro-Com Brix calibration best-fit

Hydro-Com will calculate a line that tries to include all of the points entered. It displays the new line as a red line and the last line as a blue line (Figure 30).

If a point is a long way from the line, it is probable that an error was made during the sampling or laboratory process. The point can be ignored without removing it from the data set by un-ticking the box at the right hand side of the table.

When a calibration line has been calculated, it can be written to the sensor using the “Recalculate Seed Point/Update Sensor Calibration” button. Pressing this will display the following screen (Figure 31):

The dialog box titled "Recalculate Seed Point/Update Sensor Calibration" displays the following information:

Existing Settings

- Current seed point: 80.0
- Existing Coefficients: A = 101.00, B = 0.15, C = 0.17, D = 2.50

New Settings

- New Coefficients: A = 101.238, B = 0.100, C = 0.169, D = 2.069
- New Seed Point: 80.0

Buttons: Calculate New Seed Point, Cancel/Exit, Write New Coefficients

Figure 31: Recalculate Seed point/Update sensor

4.2 Good/bad Brix Calibration

A good Brix calibration is achieved by analysing the material over the working range. A good spread of points is necessary to provide higher accuracy.

Figure 32 shows a good calibration will all points close to the best fit curve.

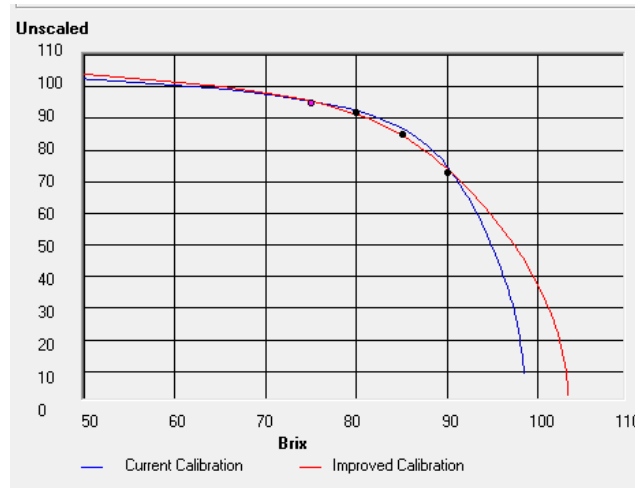


Figure 32: Example of a good Brix Calibration

Figure 33 is an example of a bad Brix calibration, this is evident as the points are not all close to the best fit curve.

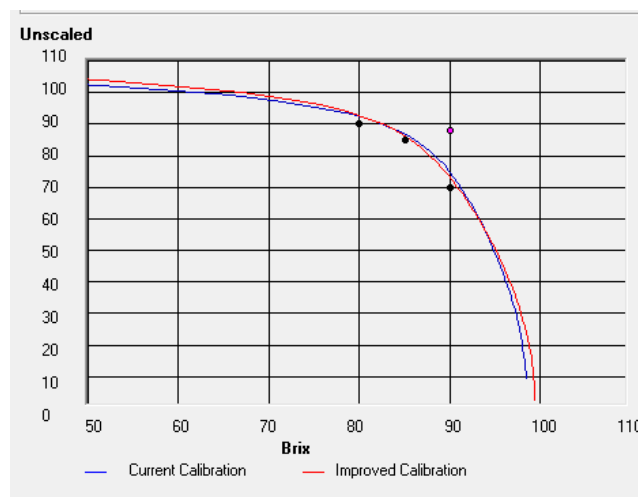


Figure 33: Example of a bad Brix Calibration

4.3 Seed Point

In processes that require a set target point to be indicated when reached i.e. to begin or end a process, this target (or Seed Point) will be set in terms of either an Unscaled value or Brix value dependent on how the sensor output is configured.

If simply using the un-calibrated Filtered Unscaled output then the target point is set at the desired Unscaled value, this will be highly repeatable from batch to batch.

If the sensor is calibrated to Brix, the Seed Point will need to be set in terms of a calibrated Brix value. In some applications it may be preferable to relate the target Brix value to a specific fixed Unscaled value. This is because the Unscaled value is the most precise measure and will remain constant regardless of any small calibration errors or adjustments of the calibration over time.

If the Brix calibration is adjusted, the current Brix Seed Point will no longer correctly correlate to the previous target point in terms of the Unscaled value.

If repeatability of the process in terms of an Unscaled measurement is required it is recommended to use the Seed Point function.

When using the Seed Point function the target Brix value is recalculated using the new calibration data to ensure that it corresponds to the previous calibrations Seed Point in terms of the Unscaled value. In this way, regardless of calibration adjustments, the correct Brix value Seed Point will always be shown in relation to the previous underlying target value in terms of Unscaled units.

4.4 Calculate New Seed Point

This function can be used if the calibration of a sensor is being adjusted and a fixed point (The “seed” point) needs to be adjusted to fit the new calibration. It takes a known Brix value (entered into the Current seed point box when the original calibration was created) and converts it to the value it will be with the new calibration.

4.5 Write New Coefficients

This button writes the, currently displayed, calibration to the sensor enabling the sensor to output a Brix value.

For full details on the use of Hydro-Com see user guide HD0273.

5 Quadratic calibration

The Hydro-Probe SE is able to utilise a quadratic calibration function for use in the rare occasions where a material is non-linear. The equation used is show below:

$$\text{Moisture \%} = A \times (\text{Unscaled value})^2 + B (\text{Unscaled value}) + C - D$$

5.1 Calibration Procedure

To calculate the quadratic calibration coefficients it is necessary to use analytical software, such as Excel, to calculate the coefficients.

1. Ensure Hydro-Com is running with the calibration page open.
2. Select the correct sensor from the pull-down list in the sensor frame.
3. Start the material flowing past the sensor and start the averaging function if it is not automatically started, then take a sample. Enough material should be collected to obtain a representation of the material flowing past the sensor. Only take a sample while the sensor is averaging.
4. Stop the material flow and then return to the computer, stop the averaging if it is not automatic, and record the 'Average Unscaled' output, which should show the 'Hold' status.
5. Mix the collected sample and determine the moisture content of the material using the appropriate lab procedure. The sample should be split into 3 equal parts and the appropriate laboratory test should be performed on each part.
6. If the results of the 3 samples differ by more than 0.3% moisture then one of the samples has not been analysed correctly and the test needs to be restarted.
7. Take the average of the 3 laboratory samples
8. Record the 'Average Unscaled' value and the laboratory moisture result.
9. Repeat steps 4-9 until samples have been taken across the full working range of the material.
10. The 'average Unscaled' and lab results should be entered into analytical software to calculate the A, B and C coefficients plus the R² value. The coefficients should be calculated using a second order polynomial.
11. Once the coefficients have been calculated enter the A, B and C Values into Hydro-Com. Select the sensor on the main screen (Sensor Tab) and select the configuration tab. The A, B and C values are entered in the Material Calibration section (Figure 34). Once completed select 'Write' to update the sensor (Ensure that the correct sensor is displayed at the top of the screen in red).

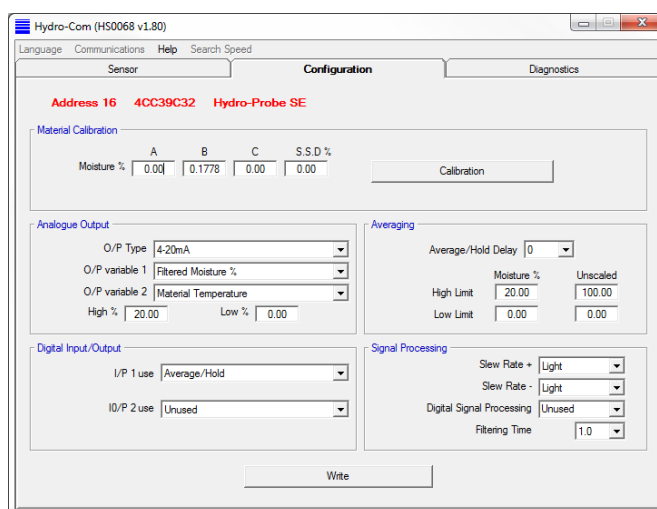


Figure 34: Hydro-Com Configuration Tab

5.2 Good/Bad Quadratic Calibrations

A good calibration is made when the calibration samples are taken over the working range of the material. As many points as possible should be taken to provide higher accuracy. Figure 35 is an example of a good calibration. All of the points are close to the curve and there is a good spread in the points covering the full moisture range of the material.

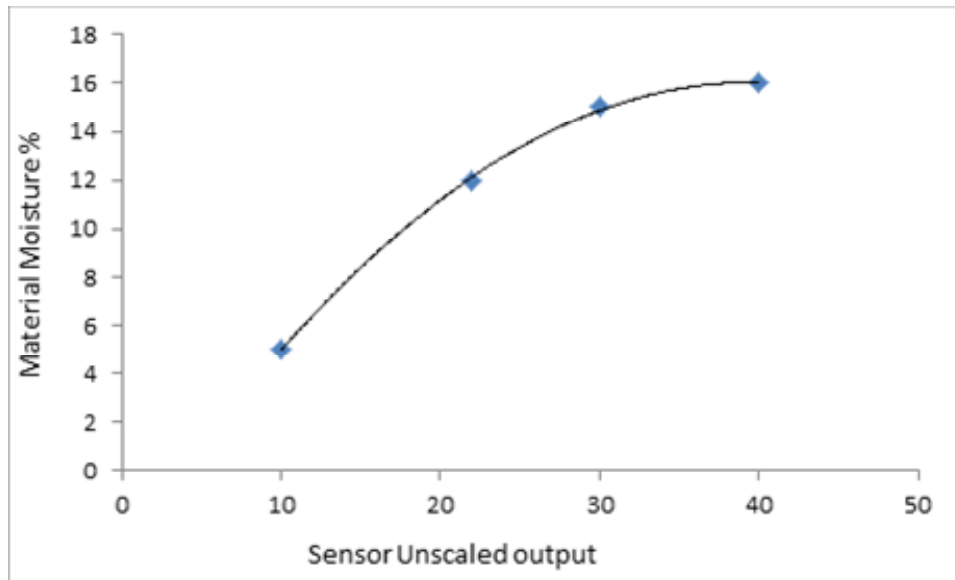


Figure 35: Example of a good quadratic calibration

Figure 36 shows examples of poor calibrations. It is evident that in the left hand calibration graph all of the points are not close to the curve fit and this indicates that there are possible sampling and laboratory errors. This calibration would need to be completed again.

On the right hand graph the points are very close indicating a small spread in moisture % of the samples. This calibration requires additional calibration points to increase the spread and to improve the accuracy.

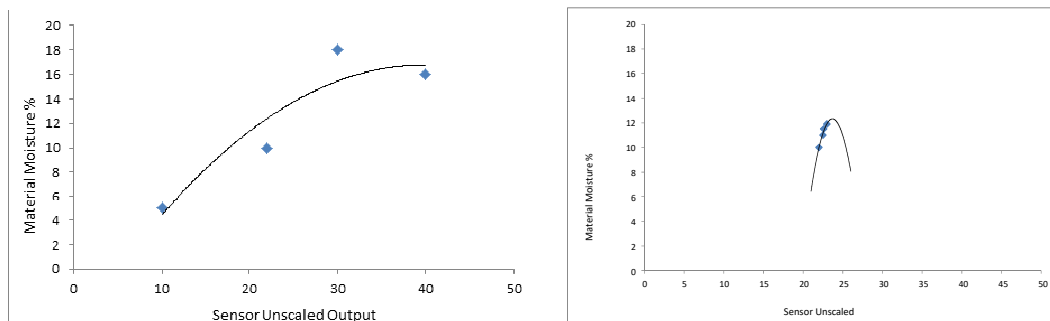


Figure 36: Examples of bad quadratic calibrations

- Q: *Hydro-Com doesn't detect any sensor when I press search.*
- A: If there are many sensors connected on the RS485 network, ensure that each sensor is addressed differently. Ensure the sensor is correctly connected, that it is powered from a suitable 15-30Vdc source and the RS485 wires are connected through a suitable RS232-485 or USB-RS485 converter to the PC. On Hydro-Com ensure the correct COM port is selected.
- Q: *How often should I calibrate the sensor?*
- A: The sensor is a precision instrument and is designed to be entirely stable across the temperature and pressure parameters specified for the sensor in the Technical Specification (Chapter 8). Once a good calibration has been determined it is not necessary to re-calibrate the sensor under normal circumstances. It is recommended to periodically check the validity of the calibration and in the event of there being a fluctuation in the properties of the material an adjustment to the calibration may be required
- Q: *If I have to exchange the sensor in my process do I have to calibrate my new sensor?*
- A: Normally no, assuming the sensor is mounted in exactly the same position. Write the calibration data for the material to the new sensor and the moisture readings will be the same. It is recommended to verify the calibration by taking a sample as shown in Chapter 5, and checking this calibration point. If it lies near to or on the line then the calibration is still valid. Preferably this test should be conducted at two or three points across the working moisture/brix range.
- Q: *If I change the material I am using, do I need to recalibrate?*
- A: It is recommended to verify the calibration by taking a sample as shown in Chapter 5 and checking this calibration point. If it lies near to or on the line then the calibration is still valid.
- Q: *What output variable should I set my sensor to?*
- A: This depends on whether the calibration is stored in the sensor or the batch controller, and if the digital input is used for batch averaging (see Analogue output setup page 25).
- Q: *There seems to be a scatter in the points I have made in my calibration, is this problem and is there something I can do to improve the calibration result?*
- A: If you have a scattering of points through which you are trying to fit a line, then there is a problem with your laboratory test. Ensure the sensor is mounted properly in the flow. For moisture calibrations use an 'Average Unscaled' value for your calibration. The averaging period can be set either with the 'Average/Hold' input, or using 'Remote Averaging'. See Hydro-Com User Guide (HD0273) for more information.
- Q: *The sensor readings are changing erratically or not consistent with the changes in moisture in the material. Is there a reason for this?*
- A: A cause of erratic readings may be the build-up of material on the sensor measurement surface during the measurement period. This may cause the sensor output to remain static for a period of time and to then abruptly change if the material begins to flow. For granular or flowing materials check that the flow is consistent and that there is no build-up of material on the sensor.

Q: *Does the angle of the sensor affect the reading?*

A: A small change in the angle of the sensor to the flow of a granular material will have a negligible effect on the reading, however a larger change (>5 degrees) can affect the readings. This is due to a change in the compaction or density of the material as it meets the measurement surface. When temporarily removing or replacing the sensor the angle of the sensor should be marked and the subsequent installation should adopt the same angle.

Q: *Why does the output read negative moisture or 101 Brix when the sensor is in air?*

A: The Unscaled reading of the sensor will read 0 in air and 100 in water. The process of calibrating the sensor equates Unscaled values to a moisture or Brix value. A totally dry material will register a number of Unscaled units on the sensor, due to its electrical properties.

If during the calibration process a calibration gradient is produced that indicates that the material when totally dry will have an Unscaled value of 8 this will result in a negative moisture/Brix value when the sensor is in air and the Unscaled value drops to zero.

The Calibrated output is only valid whilst the sensor is exposed to the material.

Q: *What is the maximum length of cable I can use?*

A: See Chapter 8 Technical Specification.

The following tables list the most common faults found when using the sensor. If you are unable to diagnose the problem from this information, please contact Hydronix technical support. support@hydronix.com

1 Symptom: No output from sensor

Possible explanation	Check	Required result	Action required on failure
Sensor has temporarily locked up	Power down and re-power sensor	Sensor functions correctly	Check power
No power to sensor	DC power at junction box	+15Vdc to +30Vdc	Locate fault in power supply/wiring
No sensor output at control system	Measure sensor output current at control system	Milliamp reading within the normal range (0-20mA, 4-20mA). Varies with moisture content	Check cabling back to junction box
No sensor output at junction box	Measure sensor output current at terminals in junction box	Milliamp reading within the normal range (0-20mA, 4-20mA). Varies with moisture content	Check sensor connector pins
Sensor MIL-Spec connector pins are damaged	Disconnect the sensor cable and check if any pins are damaged	Pins are bent and can be bent to normal to make electrical contact	Check sensor configuration by connecting to a PC
Internal failure or incorrect configuration	Connect the sensor to a PC using the Hydro-Com software and a suitable RS485 converter	Digital RS485 connection is working	Digital RS485 connection is not working. Sensor should be returned to Hydronix for repair

2 Sensor output characteristics

A simple test can be performed to check the output from the sensor in air and with the hand.

	Filtered Unscaled Output (values shown are approximate)				
	RS485	4-20mA	0-20 mA	0-10 V	Compatibility mode
Sensor exposed to air	0	4 mA	0 mA	0V	>10V
Hand on sensor	75-85	15-17 mA	16-18 mA	7.5-8.5 V	3.6-2.8V

Table 1: Output test values

3 Symptom: Incorrect analogue output

Possible explanation	Check	Required result	Action required on failure
Wiring problem	Wiring at the junction box and PLC	Twisted pairs used for complete length of cable from sensor to PLC, wired in correctly	Wire correctly using specified cable in the technical specification
Sensor's analogue output is faulty	Disconnect the analogue output from the PLC and measure with an ammeter	Milliamp reading output similar to as shown in Table 1	Connect sensor to a PC and run Hydro-Com. Check analogue output on the diagnostics page. Force the mA output to known value and check this with an ammeter.
PLC analogue input card is faulty	Disconnect the analogue output from the PLC and measure the analogue output from the sensor using an ammeter	Milliamp reading within the normal range (0-20mA, 4-20mA)	Replace analogue input card

4 Symptom: Computer does not communicate with the sensor

Possible explanation	Check	Required result	Action required on failure
No power to sensor	DC power at junction box	+15Vdc to +30Vdc	Locate fault in power supply/ wiring
RS485 incorrectly wired into converter	Converter's wiring instructions and A and B signals are the correct orientation	RS485 converter correctly wired	Check PC Com port settings
Incorrect serial Com Port selected on Hydro-Com	Com Port menu on Hydro-Com. All available Com Ports are highlighted on the pull down menu	Switch to the correct Com Port	Possible Com port number used is higher than 16 and therefore not selectable in the menu on Hydro-Com. Determine the Com Port number assigned to the actual port by looking at the PC device manager

Com port number is higher than 16 and is not available to use in Hydro-Com	The Com Port assignments in the PC's Device Manager window	Renumber the Com Port used for communication with the sensor, to an unused port number between 1 and 10	Check sensor addresses
More than one sensor has the same address number	Connect to each sensor individually	Sensor is found at an address. Renumber this sensor and repeat for all the sensors on the network	Try an alternative RS485-RS232/USB if available

5 Symptom: Near constant material reading

Possible explanation	Check	Required result	Action required on failure
Empty bin or sensor uncovered	Sensor is covered by material	100mm minimum depth of material	Make sure the sensor is in the material
Build-up of material on sensor face	Signs of build-up such as dried solid deposit on ceramic face	Ceramic faceplate should be kept clean by the action of material flow	Check positioning of the sensor.
Incorrect input calibration within control system	Control system input range	Control system accepts output range of sensor	Modify control system, or reconfigure sensor
Sensor in alarm condition – 0mA on 4-20mA range	Moisture content of material by oven drying	Must be within working range of sensor	Adjust sensor range and/or calibration
Interference from mobile phones	Use of mobile phones close to sensor	No RF sources operating near to sensor	Prevent use within 5m of sensor
Average/Hold switch has not operated	Apply signal to digital input	Average moisture reading should change	Verify with Hydro-Com diagnostics
No power to sensor	DC power at junction box	+15Vdc to +30Vdc	Locate fault in power supply/wiring
No sensor output at control system	Measure sensor output current at control system	Varies with moisture content	Check cabling back to junction box
No sensor output at junction box	Measure sensor output current at terminals in junction box	Varies with moisture content	Check sensor output configuration
Sensor has shut down	Disconnect power for 30 seconds and retry or measure current drawn from power supply	Normal operation is 70mA – 150 mA	Check operating temperature is within specified range

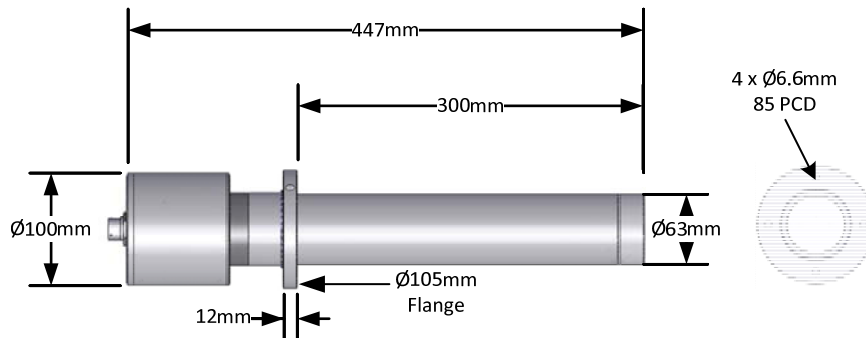
Internal failure or incorrect configuration	Remove sensor, clean face and check reading (a) with ceramic face open and (b) with hand pressed firmly on ceramic face. Activate Average/Hold input if required	Reading should change over a reasonable range	Verify operation with Hydro-Com diagnostics
---	--	---	---

6 Symptom: Inconsistent or erratic readings that do not track material

Possible explanation	Check	Required result	Action required on failure
Build-up of material on sensor face	Signs of build-up such as dried solid deposit on ceramic face	Ceramic face should always be kept clean by the action of the material flow	Reposition sensor if problem continues
Inappropriate calibration.	Ensure calibration values are appropriate to working range	Calibration values spread throughout range avoiding extrapolation	Perform further calibration measurements
Average/Hold signal is not in use	Control system is calculating batch average readings	Average moisture readings must be used in batch weighing applications	Modify control system and/or reconfigure sensor as required
Incorrect use of Average/Hold signal	Average/Hold input is operating during the main flow of material from the bin	Average/Hold should be active during main flow only – not during jogging period	Modify timings to include main flow and exclude jogging from measurement.
Inappropriate sensor configuration	Operate the Average/Hold input. Observe sensor behaviour	The output should be constant with Average/Hold input OFF and changing with the input ON	Sensor output configured correctly for the application
Inadequate ground connections	Metalwork and cable ground connections	Ground potential differences must be minimized	Ensure equipotential bonding of metalwork

1 Technical Specification

1.1 Dimensions



1.2 Construction

Body:	Stainless steel 316
Screws:	Stainless steel 304
Faceplate:	Silicon Nitride (Ceramic)
'O' Ring:	EPDM (Food Grade)

1.3 Penetration of field

Approximately 75 -100mm dependent upon material

1.4 Range of moisture

For moisture in bulk materials the sensor will measure up to the point of saturation, typically 0-20% for most materials.

For Brix, the sensor will measure between 101 Brix and approximately 50 Brix

1.5 Operating temperature range

Faceplate: 0 – 100°C (32 - 212°F)
120°C (248°F) for short periods (i.e. clean in place cycles)

Electronics: 0 – 60°C (32 - 140°F). The sensor will not work in frozen materials

1.6 Operating Pressure

The Hydro-Probe SE will operate from 1 bar Vacuum to 5 bar pressure.

1.7 Power supply voltage

15 - 30 VDC. 1 A minimum required for start-up (normal operating power is 4W).

1.8 Analogue output

Two configurable 0 – 20mA or 4-20mA current loop outputs (sink) available for Unscaled, moisture, Brix and temperature. The sensor output may also be converted to 0-10Vdc using a 500ohm resistor.

1.9 Digital (serial) communications

Opto-isolated RS485 2 wire port – for serial communications including changing operating parameters and sensor diagnostics. Contact Hydronix for read/write access to sensor parameters and values

1.10 Digital inputs

One configurable digital input 15-30 V DC activation

One configurable digital input/output – input specification 15 – 30 V DC, output specification: open collector output, maximum current 500mA (over current protection required)

2 Connections

2.1 Sensor cable

Six pairs twisted (12 cores total) screened (shielded) cable with 22 AWG, 0.35mm² conductors.

Screen (shield): Braid with 65% minimum coverage plus aluminium/polyester foil.

Recommended cable types: Belden 8306, Alpha 6373

500 Ohm resistor – The recommended resistor is an epoxy sealed precision resistor of the following specification: 500 Ohm, 0.1% 0.33W)

Maximum cable run: 200m, separate to any heavy equipment power cables.

2.2 Grounding

The sensor body is connected to the cable shield. Ensure equipotential bonding of all exposed metalwork (see Chapter 3). In areas of high lightning risk, correct and adequate protection should be used. Contact Hydronix support for recommended lightning protection.

2.3 Emissions



EEC Declaration of Conformity

Electromagnetic Compatibility Directive 2004/108/EC

The complete set of default parameters is shown in the table below. This applies to firmware version HS0089.

Parameter	Range/options	Default Parameters
Analogue output configuration		
Output type	0-20mA 4-20mA Compatibility	0-20mA
Output variable 1	Filtered moisture % Average moisture % Filtered Unscaled Average Unscaled Brix Material Temperature	Filtered Unscaled
Output Variable 2	As above	Material Temperature
High %	0 – 100	20.00
Low %	0 – 100	0.00
Moisture calibration		
A		0.0000
B		0.2857
C		-4.0000
SSD		0.0000
Brix calibration		
A		101.0000
B		0.1500
C		0.1700
D		-2.5000
Signal processing configuration		
Unscaled Type	Standard Mode Mode E Mode V	Standard Mode
Unscaled 2 Type	As above	Mode V
Smoothing time	1.0, 2.5, 5.0, 7.5, 10	1 sec
Slew rate +	Light Medium Heavy Unused	Light
Slew rate -	Light Medium Heavy Unused	Light

Averaging configuration		
Average hold delay	0.0, 0.5, 1.0, 1.5, 2.0, 5.0	0.0 sec
High limit (m%)	0 – 100	30.00
Low limit (m%)	0 – 100	0.00
High limit (us)	0 – 100	100.00
Low limit (us)	0 – 100	0.00
Input/Output configuration		
Input Use 1	Unused Average/hold Moisture/temp	Moisture/Temp
Input/output Use 2	Unused Moisture temp Bin empty Data invalid Probe OK	Unused
Temperature compensation		
Electronics temp. coeff.		Factory set
Resonator temp. coeff.		Factory set



Moisture Calibration Record Sheet

Refer to Hydro-Com User Guide HD0273 for full calibration information.

Instructions:

- Take a small sample of material where the sensor is located.
- Whilst taking samples read the Unscaled sensor output from the sensor.
- Record the sensor Unscaled reading, sensor moisture reading and lab moisture in the table below.
- Data may be used to recalibrate the sensor if there are consistent errors in moisture (>0.5%) between the current moisture output from the sensor and the lab moisture.

Material	
Location	
Sensor S/N	

Operator name	Date	Time	Readings from sensor		Lab. moisture	Sensor/Lab moisture difference
			Unscaled	Moisture		



Brix Calibration Record Sheet

Refer to Hydro-Com User Guide HD0273 for full calibration information.

Instructions:

- Take a small sample of material where the sensor is located.
- Whilst taking samples read the Unscaled sensor output from the sensor.
- Record the sensor Unscaled reading, sensor moisture reading and lab moisture in the table below.
- Data may be used to recalibrate the sensor if there are consistent errors in Brix between the current moisture output from the sensor and the lab Brix.

Material	
Location	
Sensor S/N	

Operator name	Date	Time	Readings from sensor		Lab. Brix	Sensor/Lab Brix difference
			Unscaled	Moisture		

1 Document Cross Reference

This section lists all of the other documents that are referred to in this User Guide. You may find it beneficial to have a copy available when reading to this guide.

Document Number	Title
HD0273	Hydro-Com User Guide
HD0303	USB Sensor Interface Module User Guide
HD0333	Ethernet Adapter User Guide
EN0058	HPSE Default Values

Index

Alarms		Bin Empty	27, 29
High Limit	29	Data Invalid	27, 29
Low Limit	29	Moisture/Temperature	27
Alternative Measurement Modes	29	Probe OK	27
Effects of selecting different modes	29	Setup	27
Mode E	29	Unused	27
Mode V	29	Dimensions	51
Standar Mode	29	Fault Finding	47
When to use	29	Filtering	28
Analogue Output		Filters	
Average Moisture %	26	Digital Signal Processing	28
Average Unscaled	26	Slew Rate	28
Filtered Moisture %	26	Smoothing Time	28
Filtered Unscaled	26	High Limit	<i>See Alarms</i>
Output type	25	Hydro-Com	17, 25, 45
Averaging Parameters	28	Installation	
Brix	11, 26, 38, 42	Electrical	17
Cable	17	Mechanical	13
Calibration	31	Mounting Boss	13
Brix	38	Junction Box	19
Coefficients	34	Low Limit	<i>See Alarms</i>
Data Storing	32	Maintenance	15
Good/bad Brix Calibration	41	Measurement chamber	15
Good/bad Moisture Calibration	37	Measurement Technique	11
Good/Bad Quadratic Calibrations	44	Moisture content	36
In Control System	33	Parameters	
Inside Sensor	33	Averaging	28
Linear	33	Pipeline	15
Procedure	34	Raw Moisture	28
Ceramic		Raw Unscaled	28
Care	11	Samples	
Compatibility	12	International Standards	36, 43
Configuration	12	Saturated Surface Dry (SSD)	34
Connection		Adsorbed Water	34
Digital Input/Output	20	Free moisture	34
Multi-drop	19	Total moisture	34
PC	21	Water Adsorption Value (WAV)	34
Connections	12	Seed Point	42
Connector		Sensor	
MIL-Spec	18	Connections	12
Converters		Position	13
Ethernet Adapter	22	Sensor Cable	18
RS232/485	21	Suitable Applications	11
USB Sensor Interface Module	22	Wear life	11
Default parameters	53		
Digital Inputs/Output			
Average/Hold	27		